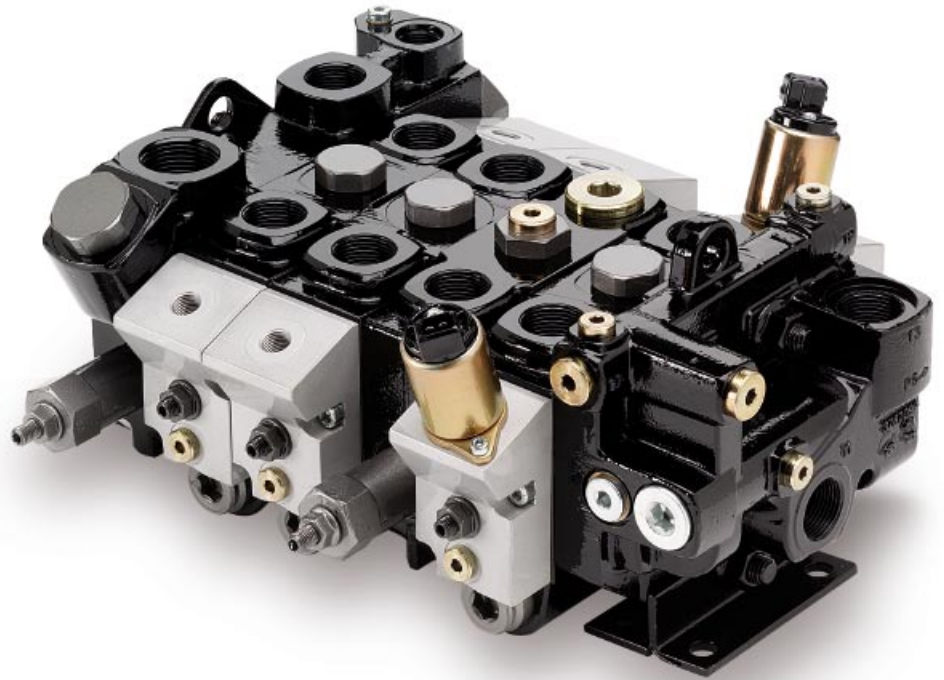




aerospace
climate control
electromechanical
filtration
fluid & gas handling
hydraulics
pneumatics
process control
sealing & shielding



F130

Mobile Directional Control Valve

Proportional, Open or Closed Centre



ENGINEERING YOUR SUCCESS.

Catalogue layout

This catalogue is designed to give an overview of the F130CF directional valve and to show how it can be customised to meet your needs exactly. Apart from general information and basic technical data therefore, the catalogue contains descriptions of the variety of options available for the different function areas of the valve. After you have studied the options and made your selection, we will tailor your valve to meet your operating and control criteria.

Each function area is given as a subheading, followed by a brief description. When several optional functions are available for the same function area, the subheading is followed by an "Item number" in square brackets, e.g. **Main pressure relief valve [16]**. This is followed by a series of coded options, e.g.

PS, PB, Y, together with a brief description of what each code represents. Alternatively, one or more pressure, flow or voltage options are given.

On pages 10 and 11 are general circuit diagrams showing the basic functions of the F130CF valve, together with the item numbers and letter codes used to represent them. Naturally, the same item numbers and letter codes are used in all sub-circuit diagrams that appear elsewhere in the catalogue in conjunction with descriptions of the respective function areas. All sub-circuit diagrams have been extracted from the general circuit diagram. Please note that, unless stated otherwise, all sections and views of the valves have been drawn as seen from the inlet section.

How to order your valve

Parker has developed a computer program to specify the F130CF, so that the configuration of your valve can be optimised to give maximum performance in your particular hydraulic system.

Based on the demands on each individual machine function, the computer specifies the configuration of the valve to give optimal performance. It also generates complete documentation

for your valve in the form of a detailed specification and hydraulic circuit diagram.

The program also generates a unique product ID number that is subsequently stamped into the data plate on your valve. Your customised valve specifications remain on our database to facilitate rapid identification of your valve in the event of re-ordering or servicing.

Early consultation with Parker saves time and money

Our experienced application engineers have in-depth knowledge of the different types of hydraulic system and the ways in which they work. They are at your disposal to offer qualified advice on the various combinations of functions and control characteristics you may require, and to advise how to obtain the best possible economy.

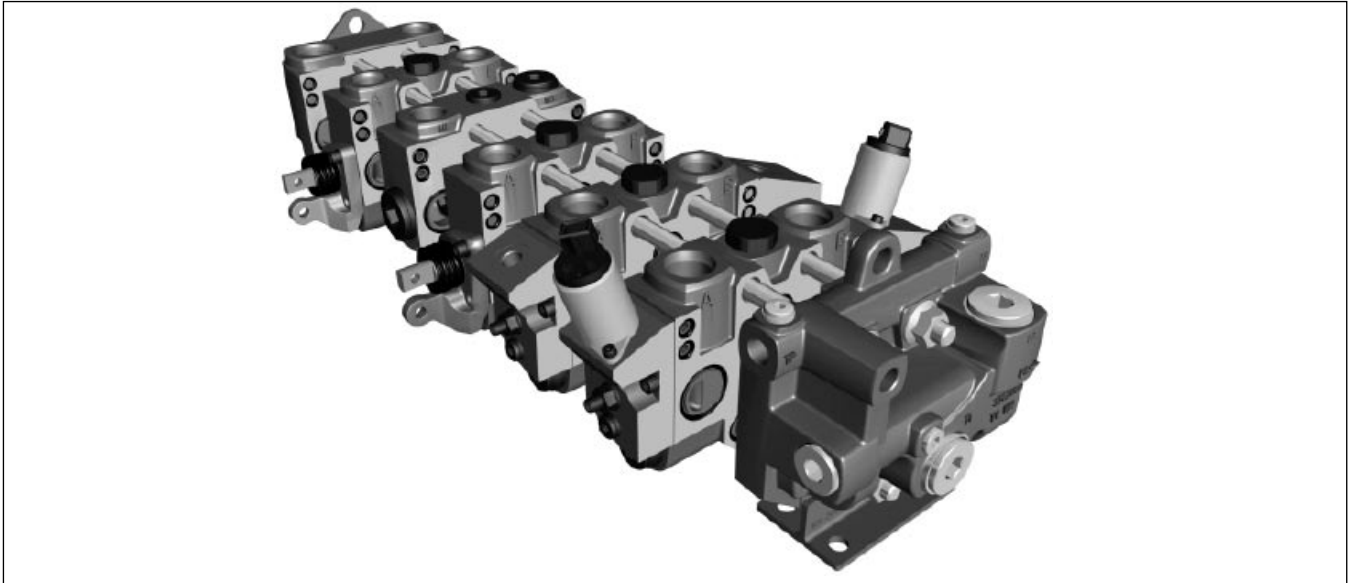
By consulting Parker early in the project planning stage, you are assured of a comprehensive hydraulic system that will give your machine the best possible operating and control characteristics, together with outstanding economy.

Conversion factors

1 kg	= 2.2046 lb
1 N	= 0.22481 lbf
1 bar	= 14.504 psi
1 l	= 0.21997 UK gallon
1 l	= 0.26417 US gallon
1 cm ³	= 0.061024 in ³
1 m	= 3.2808 feet
1 mm	= 0.03937 in
9/5 °C + 32	= °F

Contents	Page
Valve Description.....	4
Constant-flow systems (CFO) (Valve with open centre, F130CF).....	5
Constant-pressure systems, CP, CPU (Valve with closed centre, F130CP).....	6
System Connection	7
A. Series connection, multi-valve system, F130CF only.....	7
B. Series connection, single-valve system, F130CF only.....	7
C. Parallel connection, multi-valve system.....	7
Technical Data.....	8
Environmental Characteristics.....	9
Hydraulic circuit diagram showing basic functions, standard valve	10
Hydraulic circuit diagram showing basic functions (model with integral spool actuators).....	11
Inlet Sections [15].....	12-13
Main pressure relief valve [16].....	14
Pressure setting [17].....	14
Pump unloading [22].....	14
Options in pump-unloading inlet [23].....	14
Tank connection T2 [25].....	15
Pump connection P2 [26]	15
Pump connection P1 [27]	15
Mid-inlet section [90].....	16
Options, mid-inlet [93].....	17
Main pressure relief valve [94].....	17
Pressure setting [98].....	17
End section [30].....	18
Tank connection T1 [33].....	18
Tank connection T3 [34].....	19
Power-beyond function [36]	19
Reducing valve [37].....	20
Pilot-oil strainer [39].....	20
Separate tank connection for pilot circuit [40].....	20
Spool Sections.....	21-27
Spool actuators [50].....	22
Hand-operated spool actuators with open spool end	22
Spool position indication [52].....	22
Remote controlled, proportional spool actuators with open spool end.....	22
Remote controlled ON/OFF spool actuators with open spool end	22
Lever bracket [51]	23
Remote controlled proportional spool actuators with closed spool end	23
Spool function [60].....	25
Spool designation [69].....	25
Options in the spool section	25
Options in the pressure gallery [66].....	25
Choice of Spool	25
Pressure limiters in service ports [76A/B](Port relief valves).....	26
Port relief valve [76].....	26
Function blocks (manifolds)	27
Connectors	27
Hand levers for open spool-actuators.....	27
Dimensional Drawings, Conventional valve.....	28
Dimensional Drawings, Inlet and end sections.....	29
Dimensional Drawings, Spool actuators.....	30

[00] refers to item numbers in customer specification.



The F130 directional valve is of modular construction. Designed for many different applications, it is used in cranes and other types of construction machine, forestry machines, refuse trucks, drill rigs, etc. The F130 comes in two versions:

The **F130CF** with open centre for use with fixed pumps, and the **F130CP** with closed centre for use with variable pumps.

Compact system construction

The valve is of modular construction and offers unique possibilities for the integration of application-adapted functions to give compact and total system solutions for a wide range of mobile machines.

Freedom in machine design

The valve can be of the directly operated type, or can be equipped for electric, pneumatic or hydraulic remote control. A combination of direct and remote control is also possible. These options give the designer great freedom in terms of component location and the choice of pilot media.

Economy

Thanks to its modular construction, the F130 can be optimised for both simple and complex functions. The possibility of integrating total function solutions gives low overall system costs. The valve can be modified or expanded as necessary to suit the needs of the customer.

Safety

The valve is of robust construction, with each function unitised. This facilitates both training and servicing and contributes greatly to safety. Moreover, the valve can be fitted with a special inlet section that

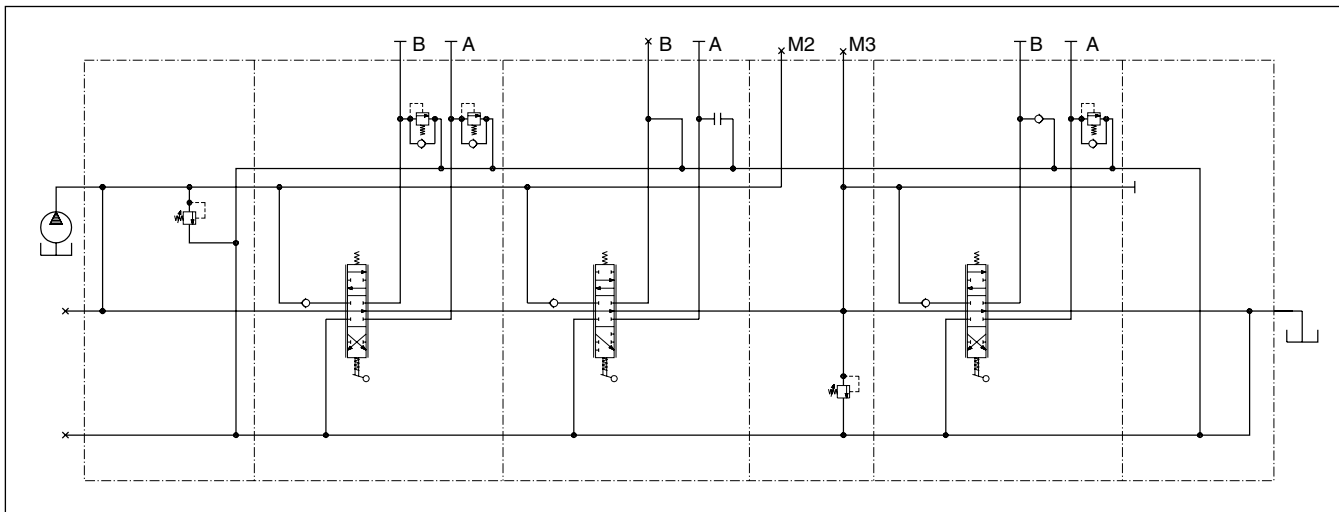
enables an emergency STOP function to be incorporated into the valve to meet the demands of the EC Machinery Directive in a uniquely simple way.

Design

The F130 is stackable and can be supplied in combinations of 1 to 11 spool sections, and in combination with one or more manifolds (function blocks). The valve is designed for system pressures of up to 320 bar and can be equipped with port relief valves in the service ports for a maximum pressure of 350 bar. The F130CF has a flow range of 60 – 110 l/min, depending on how the valve is equipped. The F130CP has a flow range of 60 – 150 l/min. There is a wide range of spools for the valve. This enables control characteristics of the valve to be customized optimally.

Essential characteristics

- Low lever forces give comfortable operation when the valve is controlled directly.
- Flexible, modular construction makes it easy to modify or expand the valve to meet changing needs.
- Easy to change spools at any time, thanks to good manufacturing precision.
- Can be flanged to both standard and specially customised function manifolds. This enables even more functions to be integrated into a single unit in a compact system, with minimal piping.
- Mid-inlet sections enable compact system construction, even in systems with several pressure levels.
- Can be equipped for both multi-pump and multi-valve systems, thus increasing its range of applications in many different types of hydraulic system.
- Very wide range of application-adapted spools designed to optimise control characteristics.
- Our proportional remote-controlled valves have pressure compensated spools, which further improves control and simultaneous-operating characteristics.
- Separate check valve in each spool section prevents undesirable sinking of the load.
- Separate port-relief valve in each service port gives individual maximum pressure limitation.
- The port relief valves have excellent pressure characteristics even as secondary pressure relief valves, and respond very quickly to sudden changes in load.
- Low pressure drops keep down energy losses and reduce the generation of heat.
- Machined land edges in the valve housing guarantee good control characteristics.
- Quality materials and high manufacturing precision ensure a superior product with low internal leakage and long service life.
- A wide range of optional functions enables the valve to be customised to meet your needs precisely.
- Open spool ends with rubber bouts increase the service life of both spools and spool seals.



Basic circuit diagram, CFO

**Constant-flow systems (CFO)
 (Valve with open centre, F130CF)**

The pump in a constant-flow system has fixed displacement, which means that the flow remains constant for a given engine speed. The pressure, however, changes to meet demand.

Any oil that is not directed out to a consumer flows back to tank via the free-flow gallery (open centre) in the valve. When several lifting functions are activated simultaneously, the pressure is determined by the heaviest load. Simultaneously operated functions should therefore have roughly the same pressure needs, or be divided into separate pump circuits to minimise cross-functional interference and give good operating economy. Provided that most of the pump capacity is used, the CFO system is very economical. For this reason, it is important for the system to have a pump of the right capacity.

The CFO system is the most tried and tested system for mobile machines. One of its advantages is that it contains fewer and less complex components, compared with other types of system.

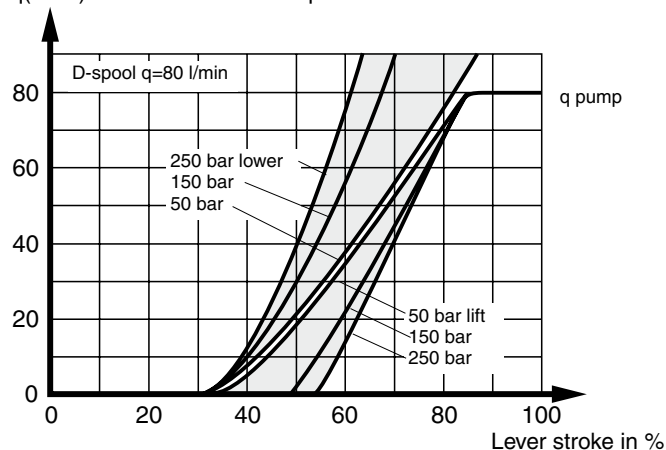
Control characteristics

In hand-operated valves, there is no clear-cut relationship between the stroke of the lever and the speed of the load. The speed of the load will depend on its weight, the direction of force and direction of movement, by other simultaneously operated loads and by the pump flow. The reason for this is that, when more passages are opened subsequently, the flows redistribute themselves so that the pressure drop in all flow paths becomes equal.

The F130CF's customised valve spools give considerably better simultaneous-operating characteristics. In some cases, this can result in higher energy losses during the fine-metering stage.

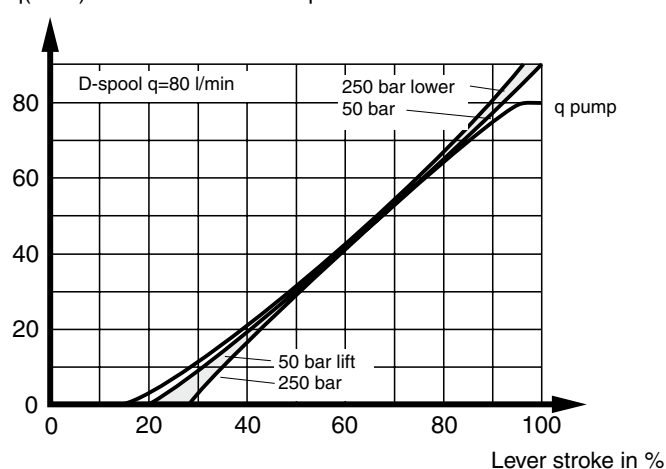
Our directional valves intended for remote control usually have pressure compensated spools, which means that the regulated flow rate remains constant for a given lever stroke, regardless of pressure variations.

q(l/min) Flow rate in service port

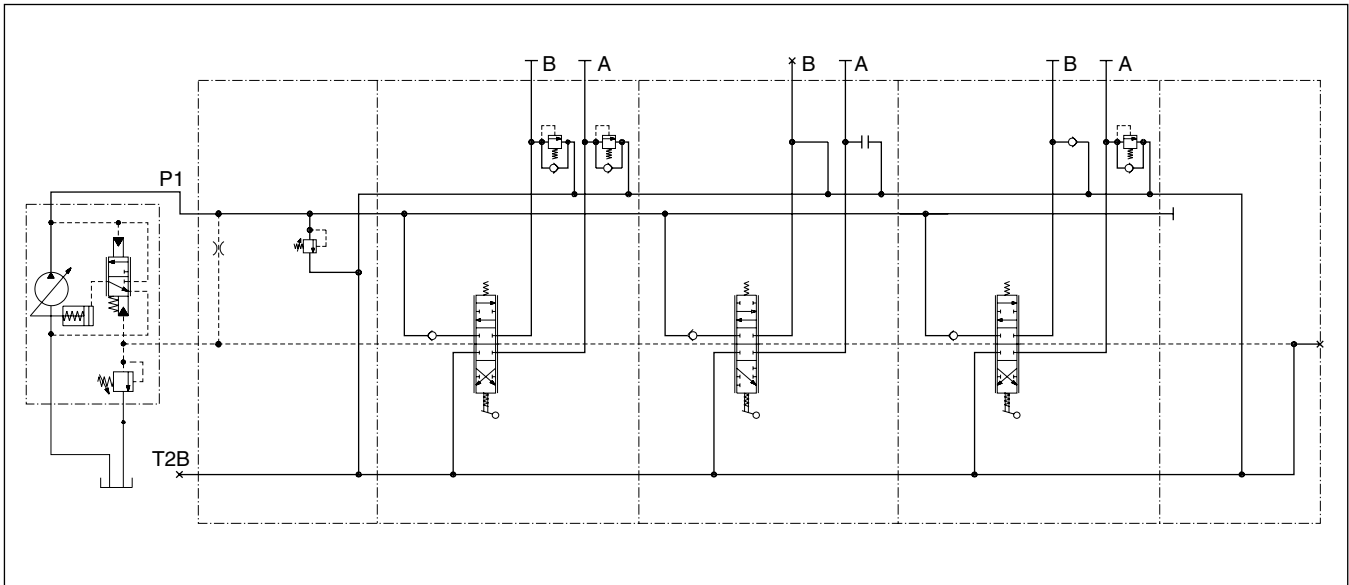


In the F130CF with hand-operated spools, the speed is influenced by the size of the load, i.e. the heavier the lift load, the longer the lever stroke needed before the load starts to move, and the heavier the sink load, the quicker the lowering sequence.

q(l/min) Flow rate in service port



In the F130CF with PC or EC closed spool-actuators, the spools are pressure compensated. This means that the load has only a slight influence on speed.



Principle circuit diagram for valve with closed centre

**Constant-pressure systems, CP, CPU
 (Valve with closed centre, F130CP)**

The pump in a constant-pressure system has variable displacement controlled by a regulator, so that the pressure is kept constant while flow is varied to suit demand. The constant-pressure system is of relatively simple construction, with an uncomplicated valve. However, the variable pump is more advanced than pumps with fixed displacement.

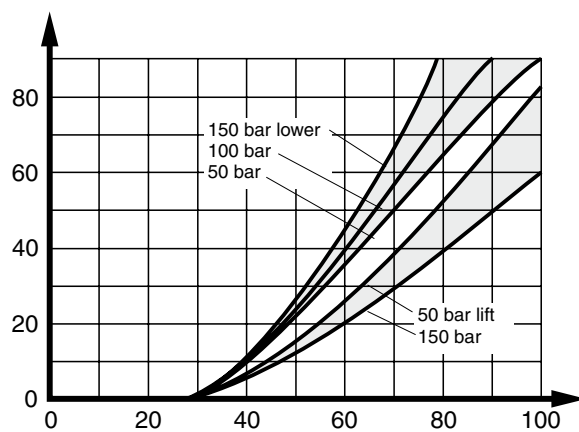
To maintain the constant-pressure system's superior control characteristics, the pump must be dimensioned to give the sum of the maximum flows for simultaneously operated functions. If the pressure cannot be maintained, the valve loses its control characteristics quickly and actuated functions begin to influence each other, with the lightest loads receiving the most flow. The system is less sensitive to pressure drops, since a pressure corresponding to the capacity limit of the machine is always available.

There are mainly two types of pumps on the market. What distinguishes them from each other is where the signal that influences the pump regulator comes from. One pump type takes the signal internally, whereas the other requires a signal from the directional valve. The F130CP can be used equally efficiently with either type.

Control characteristics

With a correctly customised F130CP valve, the system is given very good control characteristics and different functions do not affect each other. The system has good anti-cavitation characteristics, which means that a lowering movement can be changed to a lifting movement without delay. The maximum speed of each function is determined by the design of the spool and by the pressure demands of the load. In the F130CP too, remote controlled spools are pressure compensated. However, if the flow requirements of the system exceed the maximum capacity of the pump, the pressure level cannot be maintained and the normally very good control characteristics deteriorate.

q(l/min) Flow rate in service port



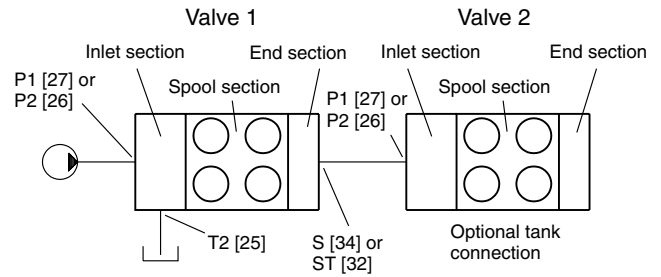
Lever stroke in %

In the F130CP with hand-operated spools, all loads start moving at the same point, regardless of the size and direction of the load. The size of the load does, however, affect the slope of the curve to some extent.

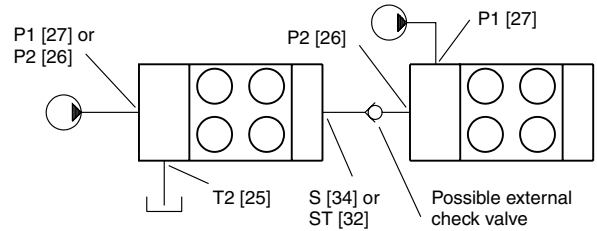
Below are a few examples of how the F130 can be connected up.

A. Series connection, multi-valve system, F130CF only

The pump is connected to the first valve. Flow that is not directed to a consumer via the first valve continues to the next valve. The first valve therefore has priority and, in the event of full spool actuation in the first valve, no flow continues to the next valve.

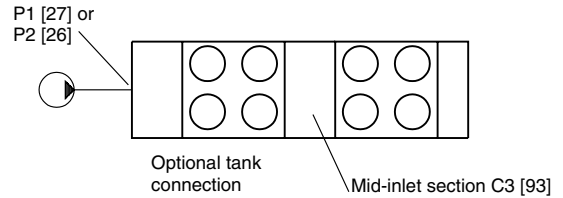


If an additional pump is connected to valve 2, then valve 2 receives the flow from pump 2 plus any residual flow from valve 1.

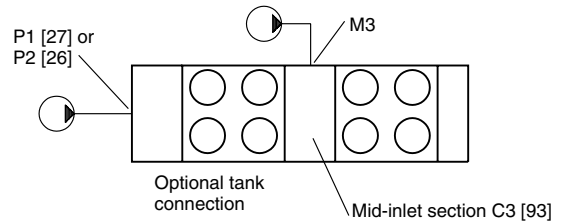


B. Series connection, single-valve system, F130CF only

The pump is connected to the inlet section. Flow that is not directed out to consumers connected before the mid-inlet section continues to consumers connected after the mid-inlet section. This means that the first spool sections have priority, i.e. in the event of full spool actuation in a section before the mid-inlet section, no flow continues to the sections after the mid-inlet section.



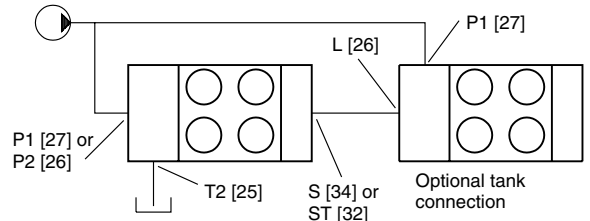
If an additional pump is connected to the mid-inlet section, then subsequent sections will receive the flow from pump 2 plus any flow from pump 1 that has not been used by the sections before the mid-inlet section.



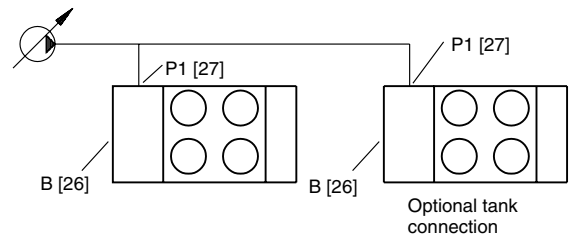
C. Parallel connection, multi-valve system

In parallel connection, the same pump is connected to two or more valves. The function is the same as if the pump were connected to a single large valve.

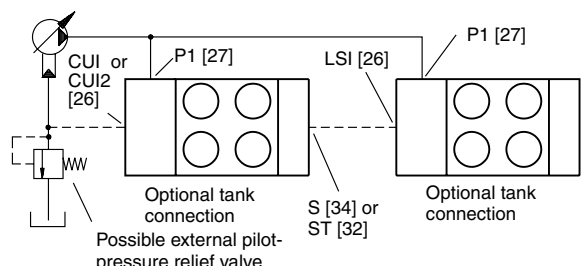
Parallel connection, fixed pump (CFO), F130CF



Parallel connection, variable pump (CP), F130CP



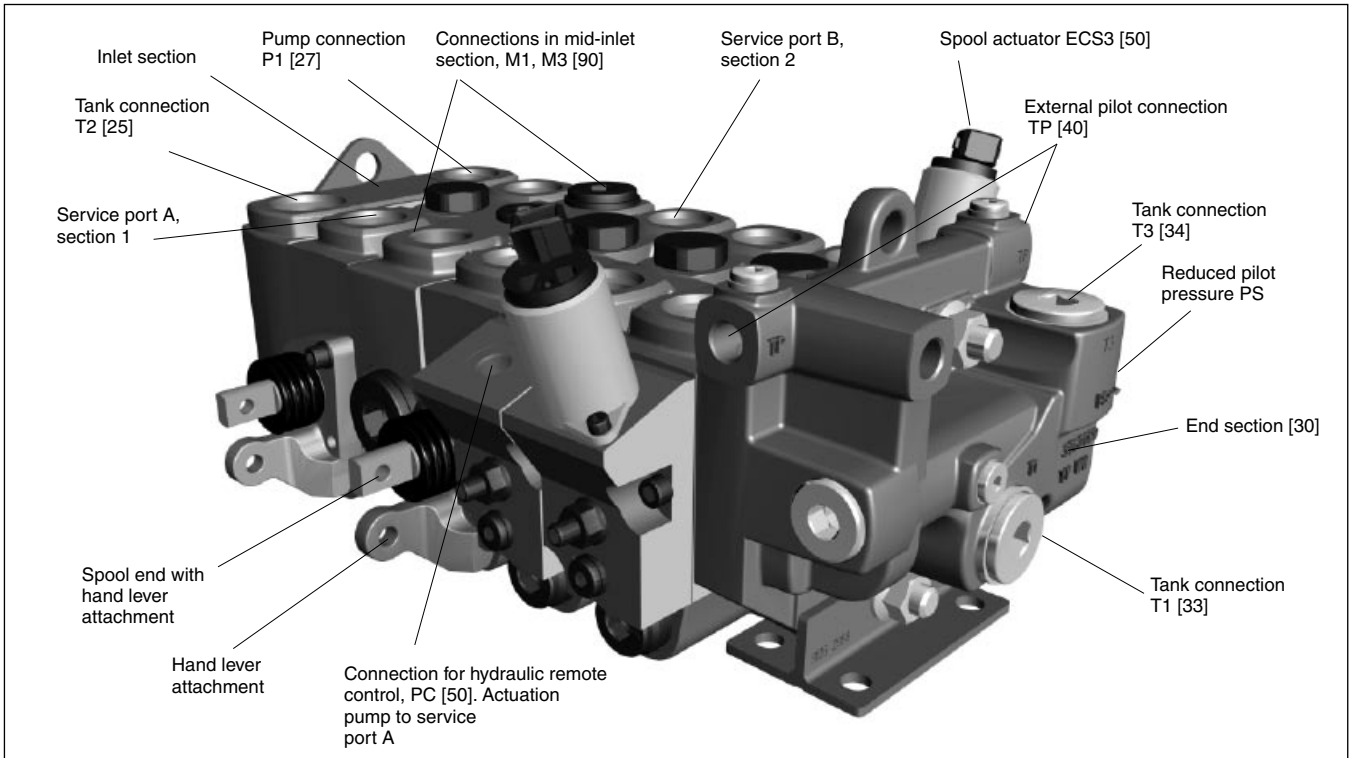
Parallel connection, variable pump (CPU), F130CP



----- = signal line (pilot pressure)

The different functions are described in more detail on pages 12, 15 and 17 – 19.

Item number in [] indicates part or functional area of valve.



Pressure

Pump port	max. 320 bar* (4640 psi)
Service port	max. 350 bar* (5075 psi)
Tank port, static	max. 10 bar (145 psi)

* Stated pressures are maximum absolute shock pressures at 10 bar tank pressure.

Recommended flow rates

F130CF, pump port	max. 110 l/min** (29.1 US gpm)
F150CP, pump port	max. 150 l/min (39.6 US gpm)
Return from service port	max. 175 l/min (46.2 US gpm)

** Max. recommended flow rate depends on choice of spool.

Internal pilot pressure

Factory-set	35 bar (508 psi)
-------------	------------------

Leakage from service port over spool

From A or B port: max 12 cm³/min (0.73 cu.in/min) at pressure 100 bar (1450 psi), temperature 50 °C (122 °F) and viscosity 30 mm²/s (cSt).

Connections

All standard connections are available in two versions unless stated otherwise:
 G version (BSP pipe thread) for flat seal (type Tredo) as per ISO 228/1 and UNF version for O-ring seal as per SAE J1926/1.

Filtration

Filtration must be arranged so that Target Contamination Class 20/18/14 according to ISO 4406 is not exceeded. For the pilot circuit, Target Contamination Class 18/16/13 according to ISO 4406 must not be exceeded.

Connection	Located	G version	UNF version
P1, P2	inlet section	G3/4	1-1/16-12 UN-2B
T2	inlet section	G1	1-5/16-12 UN-2B
M1	mid-inlet section	G3/4	1-1/16-12 UN-2B
M3	mid-inlet section	G3/4	1-1/16-12 UN-2B
T1	end section	G3/4	1-1/16-12 UN-2B
TP, PS	end section	G1/4	9/16-18 UNF-2B
T3	end section	G3/4	1-1/16-12 UN-2B
Service ports	spool sections	G3/4	1-1/16-12 UN-2B

For other connections, please see respective sections in catalogue.

Weight

The weight varies somewhat with the configuration of the valve. The figures below are therefore approximate.

Valve housing inclusive of spool, pressure relief valve etc; but exclusive of spool actuators.

Conventional inlet (I)	4.1 kg (9.1 lb)
Inlet (IU)	6.3 kg (14.0 lb)
Spool section for conventional spool actuator	4.8 kg (10.7 lb)
Spool section for integrated spool actuator (EC)	6.4 kg (14.2 lb)
Spool section for integrated spool actuator (PC)	5.9 kg (13.1 lb)
Mid-inlet section	4.1 kg (9.1 lb)
End section with integrated pilot pressure supply (USP)	4.7 kg (10.4 lb)
Conventional end section (US)	2.4 kg (5.3 lb)

The valve can be mounted in any direction. However, the mounting base should be flat and stable so that the valve is not subjected to strain. If the valve is mounted with the cap of the spool actuator facing downward, then cap A13 should be chosen for spool actuators C and B3 [50].

The valve's O-rings are normally of nitrile rubber. However, there are a number of special O-ring variants in Viton. Please contact Parker for more information. For the F130CP we recommend that you select A30, which gives Viton O-rings in the parting line between the sections. This is because a lot of heat can be generated in hardworking constant-pressure systems, and Viton withstands heat better than nitrile rubber.

Temperature

Oil temperature, working range +20 to 90 °C (+68 to 194 °F)*

Hydraulic fluids

Best performance is obtained using mineral-base oil of high quality and cleanness in the hydraulic system. Hydraulic fluids of type HLP (DIN 51524), oil for automatic gearboxes Type A and engine oil type API CD can be used.

Viscosity, working range 15-380 mm²/s**

Technical information in this catalogue is applicable at an oil viscosity of 30 mm²/s and temperature of 50 °C (122 °F) using nitrile rubber seals.

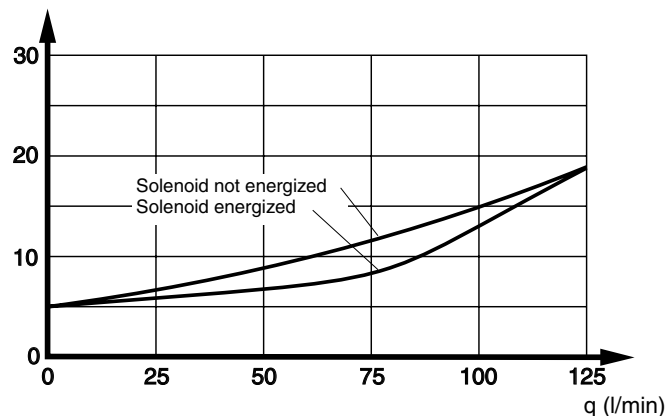
* Product operating limits are broadly within the above range, but satisfactory operation within the specification may not be accomplished. Leakage and response will be affected when used at temperature extremes and it is up to the user to determine acceptability at these levels.

** Performance efficiency will be reduced if outside the ideal values. These extreme conditions must be evaluated by the user to establish suitability of the products performance.

Pressure drops

Pressure drop with pump-unloading inlet

Δp (bar) Pressure drop P1 to T2, 6-section valve

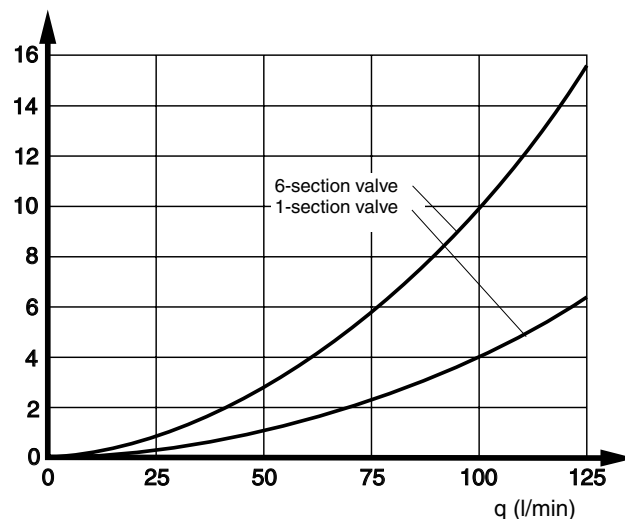


Pump unloading function.

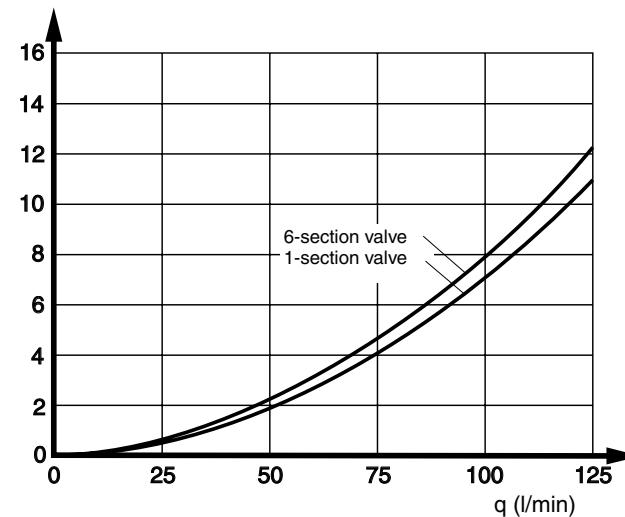
See description and hydraulic circuit diagram on page 14. With a pump-unloading inlet, the pressure drop does not fall below 5 bar, due to a counter pressure valve that guarantees the function. The pressure-drop curves P1 to T2 include an extra counter pressure of 2 bar at a flow of 100 l/min, due to a pressure drop over the check valve in the inlet. If the check valve is not chosen, the pressure drop is reduced by the corresponding value.

Pressure drop with standard inlet, F130CF

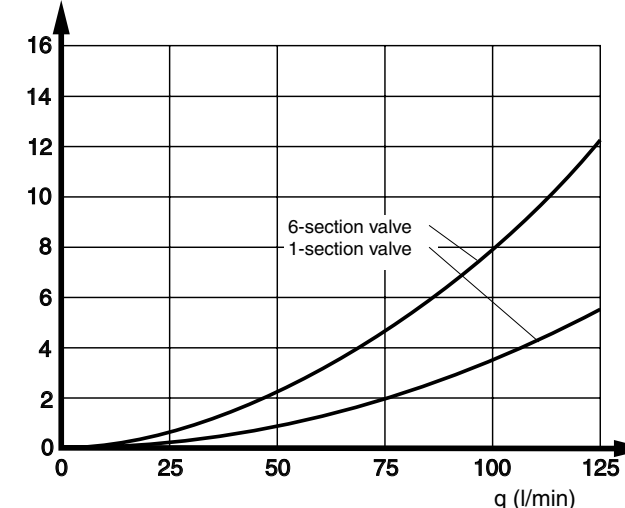
Δp (bar) Pressure drop P1/P2 to T1



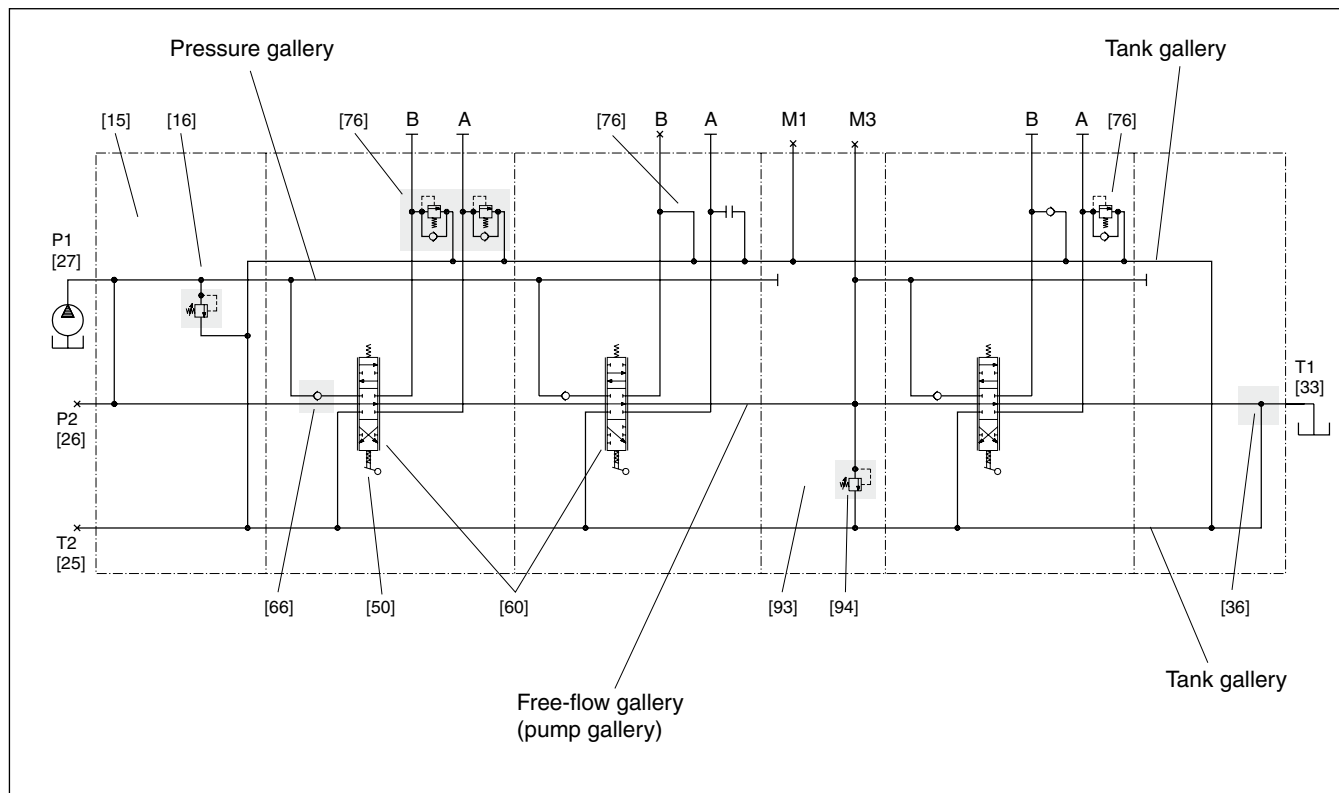
Δp (bar) Pressure drop P1/P2 to service-port A/B



Δp (bar) Pressure drop service-port A/B to T1



Hydraulic circuit diagram showing basic functions, standard valve



The circuit diagram above shows the F130CF with three spool sections and a mid-inlet between sections 2 and 3.

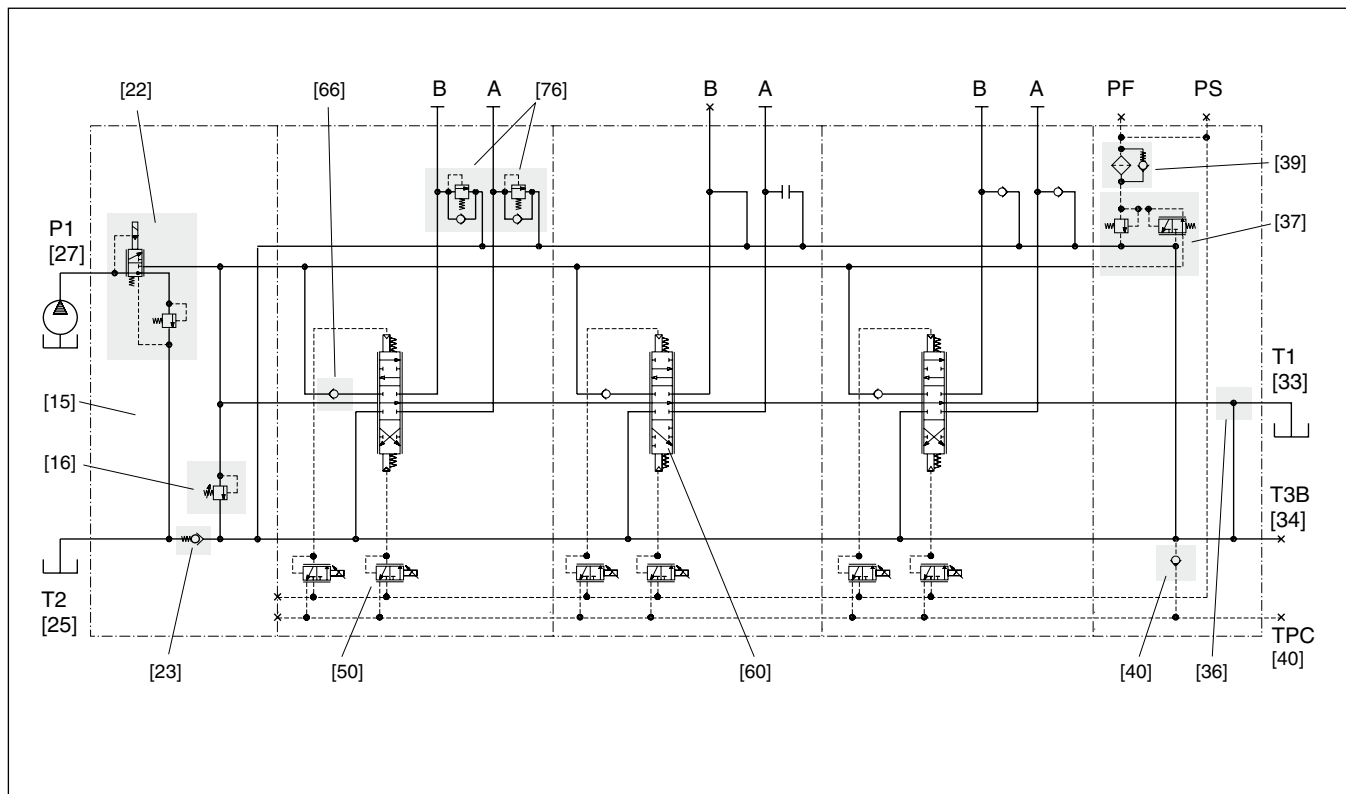
The shaded areas indicate functions or function groups that are described further on in the catalogue.

The item numbers in the hydraulic circuit diagram above and table below refer to function areas for which different options are available. The valve above is equipped as described below.

For details of other options available, and for the F130CP, please refer to the respective function areas [item numbers] given alongside the various sub-headings that begin on page 12.

Item No.	Code	Description	Item No.	Code	Description
15	I	Standard inlet section	66	N	Load-hold check valve in each section to prevent undesirable load sinking.
16	PS	Adjustable main pressure relief valve in inlet.	76	PA	Combined port-relief and anti-cavitation valve in service-ports A and B on section 1, and in service-port A on section 3.
25	T2B	Tank connection in inlet plugged.	Y2		Connection between service-port A and tank gallery blocked in section 2.
26	P2B	Pump connection P2 in inlet plugged.	X2		Connection between service-port B and tank gallery open in section 2 (always the case with EA spool).
27	P1	Pump connection P1 in inlet open.	N2		Anti-cavitation valves fitted in service ports A and B of section 3.
33	T1	Tank connection T1 in end section open.	93	C3	Mid-inlet with series connection to give priority to preceding sections. Intended for single or multi-pump operation.
36	/	Free-flow gallery connected with tank.	94	PS	Adjustable main pressure relief valve in mid-inlet.
50	C	Spring-centred spool actuator on all sections for stepless operation by hand.			
60	D	Spool for double-acting function in sections 1 and 3.			
	EA	Spool for single-acting function working on service port A. Service port B blocked in section 2.			

Hydraulic circuit diagram showing basic functions (model with integral spool actuators)



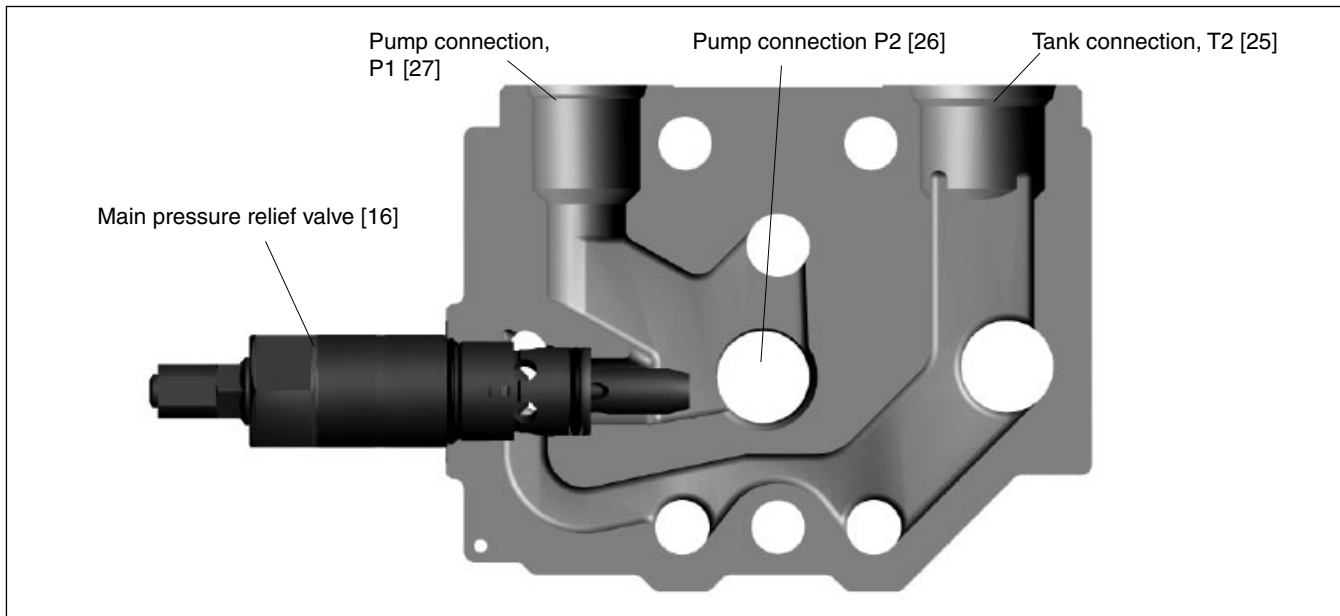
The circuit diagram above shows the F130 with three electro-hydraulically controlled spool sections and an integral pilot-oil

supply. The shaded areas indicate functions or function groups that are described further on in the catalogue.

The item numbers in the hydraulic circuit diagram above and table below refer to function areas for which different options are available. The valve above is equipped as described below.

For details of other options available, and for the F130CP, please refer to the respective function areas [item numbers] given alongside the various sub-headings that begin overleaf.

Item No.	Code	Description	Item No.	Code	Description
15	IU	Inlet with integrated bypass and pump-unloading function	60	D	Spool for double-acting function in sections 1 and 3.
16	PS	Adjustable main pressure relief valve in inlet.	EA	EA	Spool for single-acting function working on service port A. Service port B blocked in section 2.
22	BEN	Electric pump-unloading function.	66	N	Load-hold check valve in each section to prevent undesirable load sinking.
23	N3	Check valve to prevent oil leakage.	76	PA	Combined port-relief and anti-cavitation valve in service ports A and B of section 1 and service port A of section 3.
25	T2	Tank connection in inlet open.	Y2	Y2	Connection between service-port A and tank gallery blocked in section 2.
27	P1	Pump connection P1 in inlet open.	X2	X2	Connection between service-port B and tank gallery open in section 2 (always the case with EA spool).
33	T1	Tank port T1 in end section open.	N2	N2	Anti-cavitation valve mounted in service-ports A and B on section 3.
34	T3B	Tank port T3 in end section plugged.			
36	/	Free-flow gallery connected with tank.			
37	R35	Reducing valve for pilot-oil supply.			
39	S	Internal pilot-oil filter.			
40	TPC	Pilot-oil tank with check valve.			
50	ECS3	Spool actuator for electric remote control.			



Standard inlet section

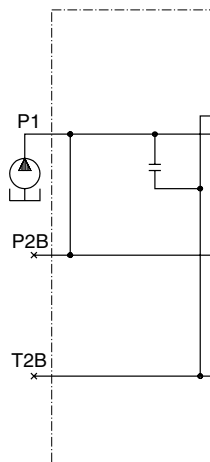
The inlet section is available in two basic versions: the conventional version and a version with pump unloading.

The conventional inlet section has two pump connections, P1 and P2, and a tank connection, T2. The direct-acting main pressure relief valve is also located in the inlet section.

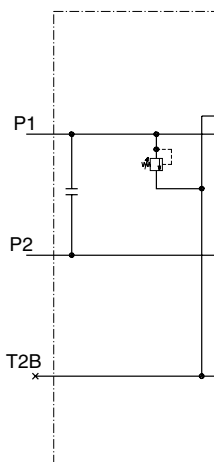
The F130 with closed centre (F130CP) is created by combining inlet section I with L or CUI at item [26]. The difference between the F130CP and the F130CF is that the free-flow gallery (open centre) in the CP version is used to break a hydraulic signal, instead of to convey unused pump flow to tank.

Typ av inloppssektion [15]

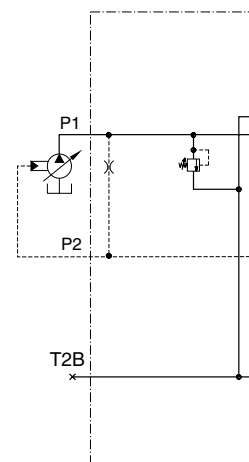
- I** Standard inlet (F130CF + F130CP).
- IU** Inlet with integrated pump-unloading function (F130CF).



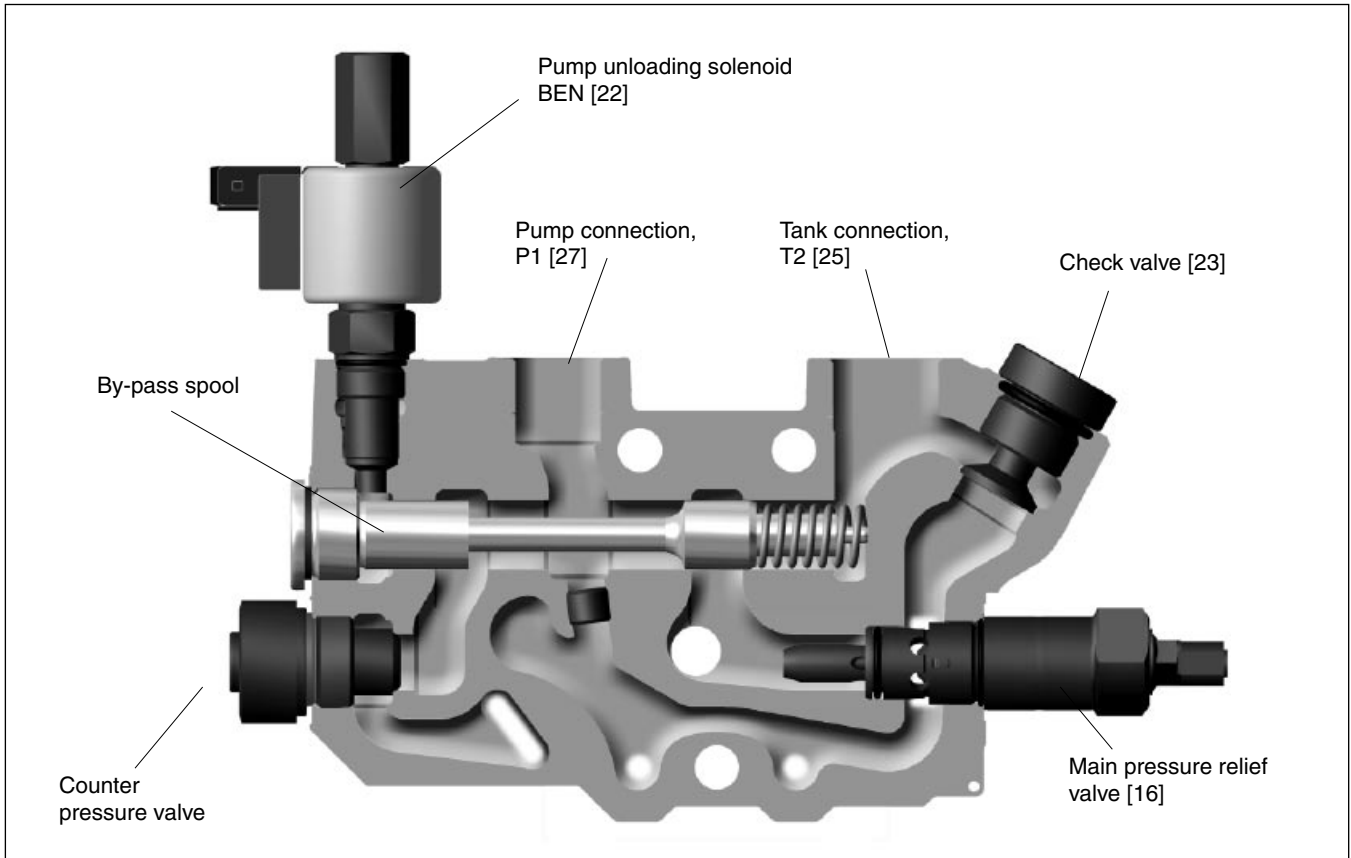
Standard inlet I without main pressure relief valve (F130CF).



Standard inlet I with L-function and main pressure-relief function PS (F130CF).

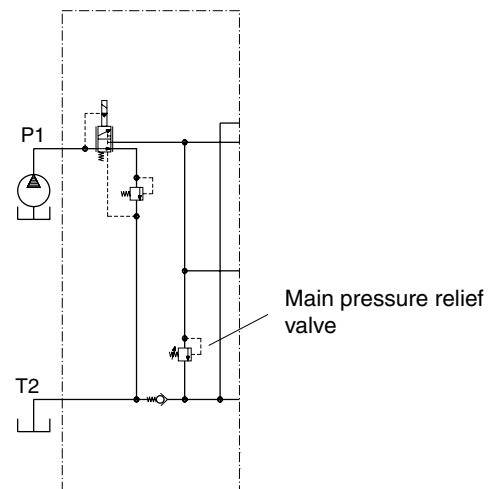


Standard inlet I with CUI-function and main pressure-relief function PS (F130CP).



Inlet section for valve with integrated pump-unloading function.

The inlet section IU for the F130CF contains a pump-unloading function. This, together with some kind of overcentre valve, enables the machine constructor to equip the machine with an emergency-STOP function.



Inlet section with pump unloading and main pressure relief valve.

Main pressure relief valve [16]

The pressure relief valve is direct acting and steplessly adjustable. To give the best characteristic, the working range is divided into 7 different ranges: 80-125 bar, 126-140 bar, 141-160 bar, 161-210 bar, 211-250 bar, 251-280 bar and 281-320 bar. The pressure can be increased to approximately 30 bar above the maximum value of the adjustment range in order to enable the machine to be tested at pressures higher than the intended maximum working pressure. The Parker PLD130 cartridge valve, which has a very good characteristic, is used as the pressure relief valve. Alternatively, a plug can be specified to block the connection pump-to-tank when the main pressure relief valve is located elsewhere in the system.

- PS** Adjustable main pressure relief valve. Supplied factory-set.
- PB** Adjustable main pressure relief valve. Supplied factory-set and sealed.
- Y** Without pressure relief valve.

Pressure setting [17]

Max. 250 bar for grey-iron version of valve.
 Max. 320 bar for nodular-iron version of valve.

Pump unloading [22]

According to the EC Machinery Directive, machines must be equipped with one or more emergency STOP functions to enable actual or impending danger to be averted.

"The emergency STOP function must stop the dangerous process as quickly as possible without creating additional hazards and the energy supply to the function must be cut off."

The pump-unloading inlet meets these criteria by diverting incoming oil from the pump directly to the tank line, at the same time blocking the pump line into the valve. This means that no energy is transmitted to the functions. It should be noted, however, that movements driven by dead weight will continue if there are no overcentre valves.

N.B. The pump-unloading function is part of the machine's safety system.

The pump-unloading function can also be used to save energy when the valve is not being used. By engaging the pump-unloading function when the valve is not being used, the pump-to-tank pressure drop is reduced, see characteristics on page 9.

The solenoid BEN [22] that controls the pump-unloading function is available in 12 and 24 V versions. The solenoid is equipped with a manual actuator. For connector details, please see page 27.

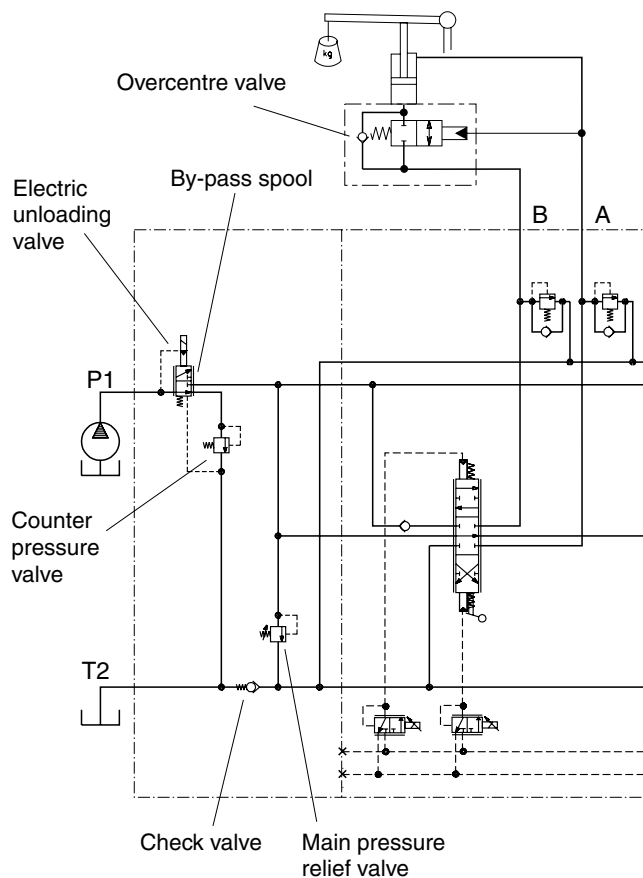
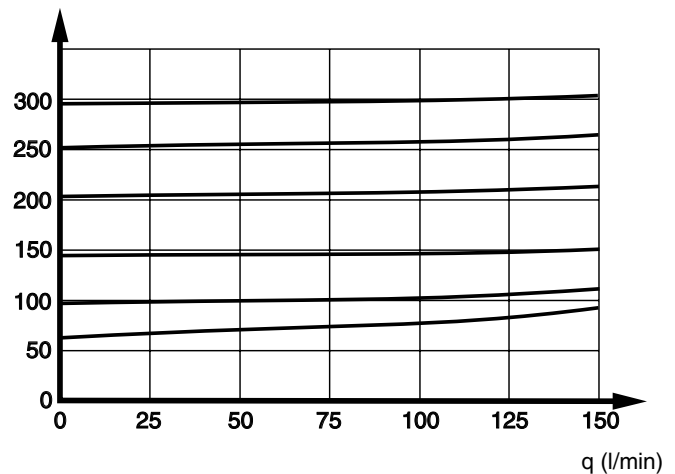
- /** Inlet not equipped with pump unloading.
- BEN** Inlet equipped with electrically controlled pump unloading.

Options in pump-unloading inlet [23]

From an environmental and economic point of view, it is advantageous to close the tank gallery as well, so that no oil runs out via the anti-cavitation valve in the event of a hose rupture, for instance. To prevent this from happening, the pump-unloading inlet can be equipped with a check valve in the tank gallery.

- X3** Pump-unloading inlet without check valve.
- N3** Pump-unloading inlet with check valve in tank gallery.

Δp (bar) Pressure relief characteristic, PS/PB



Circuit diagram for pump unloading

Tank connection T2 [25]

- T2** Tank connection T2 open.
- T2B** Tank connection T2 plugged (normal version).

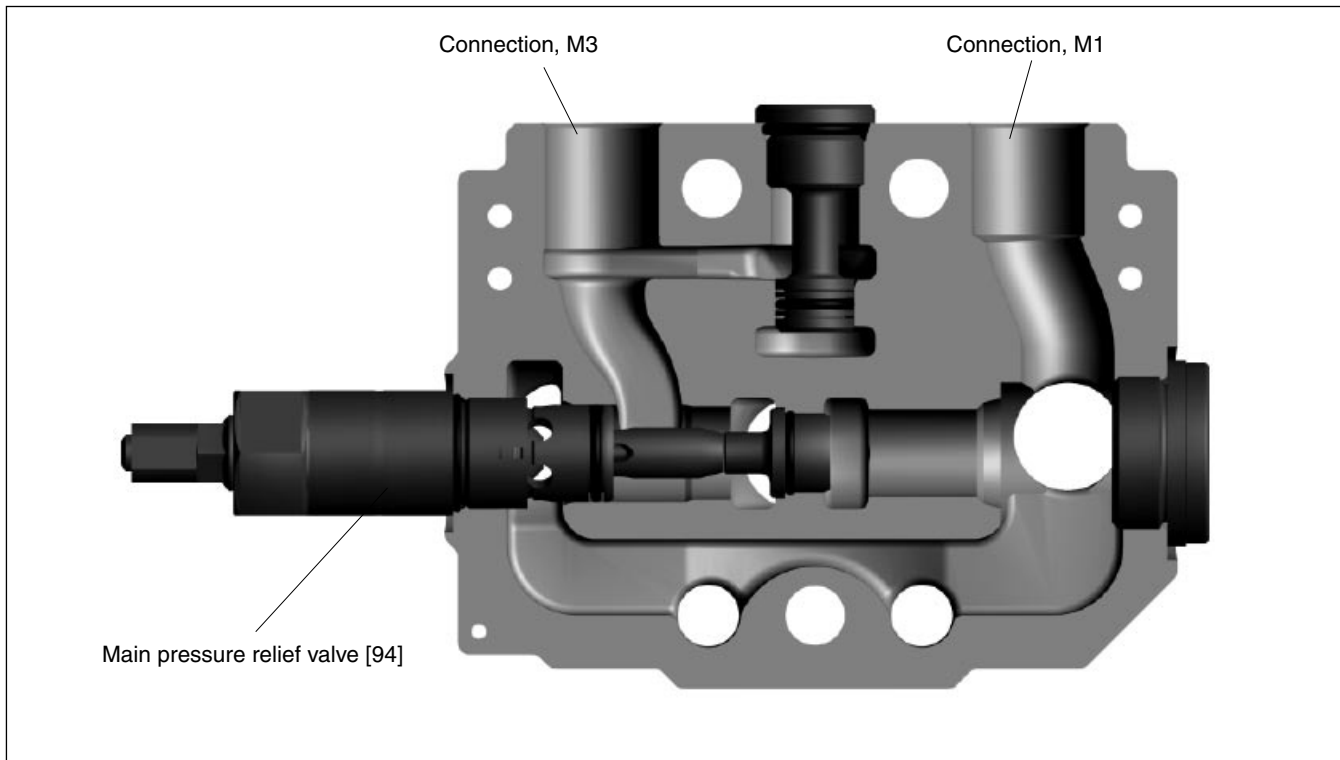
Pump connection P2 [26]

Only available on inlet type I [15]. See page 7 for more information about parallel connection.

- P2** Pump connection P2 open.
- P2B** Pump connection P2 plugged. Normal version.
- L** Parallel-connection used in F130CF when actual valve is connected downstream to another valve. The function separates the free-flow gallery from the pump gallery. (See page 12 for circuit diagram).
- CUI** Unloading-signal restrictor for variable pump. Via the CUI restrictor (\varnothing 0.8 mm), the pump pressure enters the gallery that is used as the free-flow gallery on the F130CF. The inlet section I [15] is connected with the pump regulator via the P1 connection. When all spools are in neutral, the flow coming from the pump gallery passes via the CUI restrictor to the tank connection in the valve's end section. The pressure that influences the pump regulator does not arise. As soon as a spool is shifted out of neutral the connection from the CUI restrictor to tank is broken and the pump pressure is again directed to the pump regulator, via the P1 connection.
- CUI2** Unloading-signal restrictor with same function as CUI, but with \varnothing 1.5 mm restrictor.
- LSI** Connection nipple that breaks the connection between the free-flow gallery (open centre) and the pressure gallery. Used in F130CP in CPU system, for instance, if pump-unloading signal is created in another valve.
- B** Plug that breaks the connection between the free-flow gallery (open centre) and the pressure gallery. Used in F130CP when unloading signal is not wanted. Port P2 blocked.

Pump connection P1 [27]

- P1** Pump connection P1 open. (normal version).
- P1B** Pump connection P1 plugged.



Mid-inlet section [90]

There are two connections in the mid-inlet section. They can be connected in different ways, depending on the choice of options.

The main pressure relief valve (see page 17) can/or should be fitted in the mid-inlet, depending on the way in which the system is constructed. See connection alternatives overleaf.

Several mid-inlets can be placed in one and the same valve to give optimum system construction.

The mid-inlet section can only be selected for the F130CF

Options, mid-inlet [93]

- C2** Mid-inlet without function. Used if you plan to convert mid-inlet to C3 or C5 later on.
- C3** Mid-inlet with series connection that gives priority to upstream sections. Intended for single or multi-pump operation. Flow not used in sections upstream of the mid-inlet is added to the incoming flow in the mid-inlet.
- C5** Mid-inlet without flow summation. Intended for multi-pump operation. Valve with C5 mid-inlet functions as two separate valves with a common tank connection. If an extra tank line is connected to port M1, the pump-to-tank pressure drop will be reduced.

Main pressure relief valve [94]

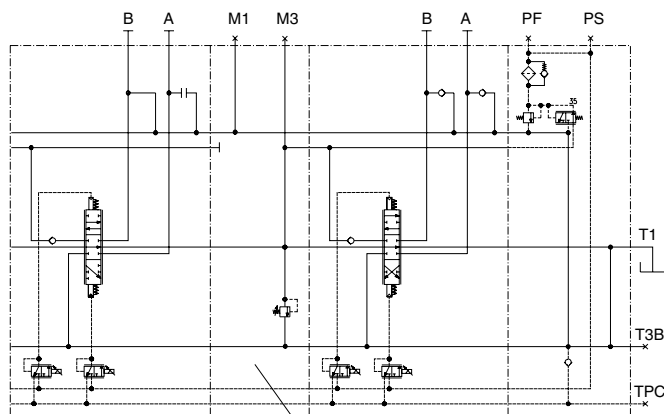
The mid-inlet can be fitted with the same main pressure relief valve as is fitted in the standard inlet. For further information and technical data, please see Inlet section [16] on page 14.

In systems in which several different pressure levels are required, main pressure relief valves can be fitted to give different pressure levels before and after the mid-inlet.

- PS** Adjustable main pressure relief valve. Delivered with opening pressure pre-set as per specification.
- PB** Adjustable main pressure relief valve. Delivered pre-set and factory-sealed.
- Y** Without pressure relief valve.

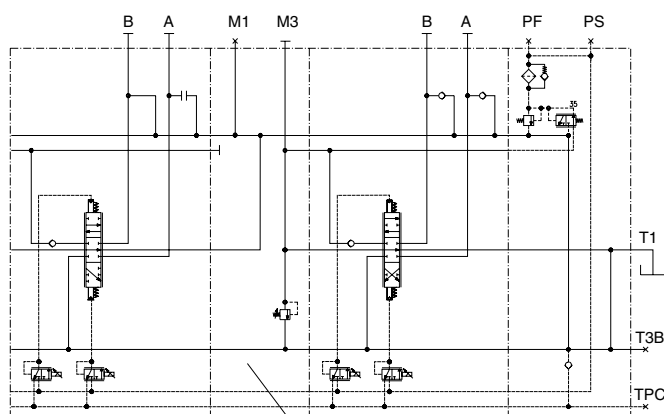
Pressure setting [98]

- Max. 250 bar for grey-iron version of valve.
- Max. 320 bar for nodular-iron version of valve.



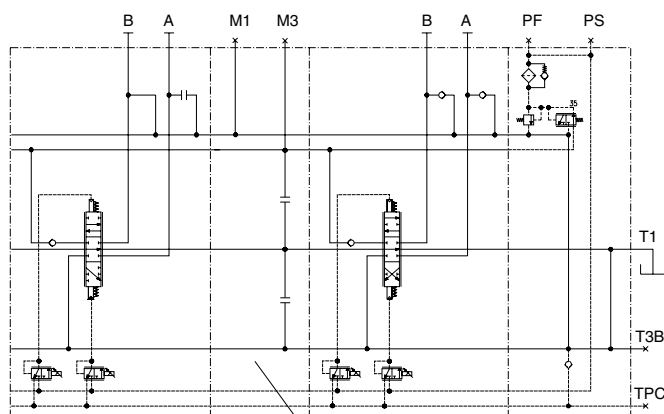
Mid-inlet section

Mid-inlet, C3. Used in multi-pump systems and when upstream sections are to have priority over flow delivered by the pump connected to the inlet section [15]



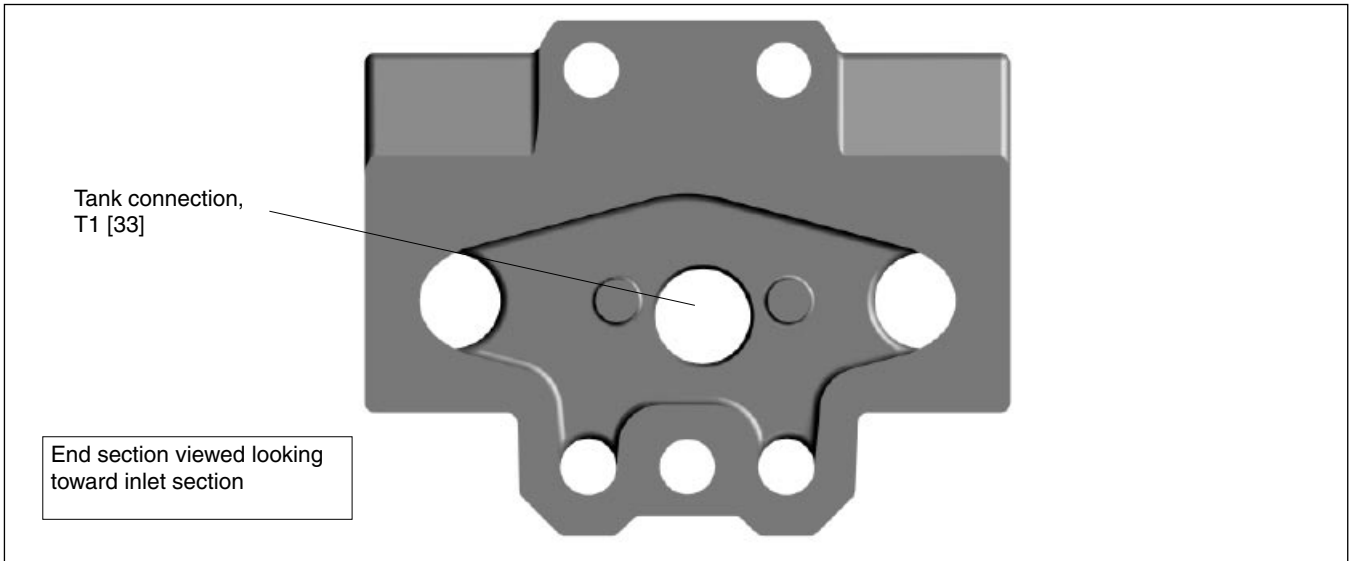
Mid-inlet section

Mid-inlet, C5. Used in multi-pump systems. Valve functions as two separate valves, but with common tank gallery.



Mid-inlet section

Mid-inlet C2 Used when you want to rebuild the mid-inlet to a C3 or C5 later on.



End section for standard valve

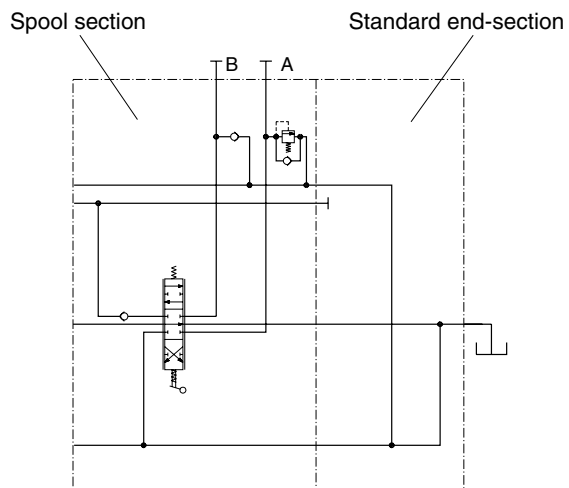
The end section is available in two different versions: the conventional version and a version with an integrated pilot-pressure supply. The conventional end-section is also available, together with a spool section, as a unit called a 'spool section with outlet'. The conventional end-sections are equipped with a tank connection, T1. The end section for valves with integrated spool-actuators includes a reducing valve for the pilot-pressure supply, and one more tank connection, T3. A power-beyond function can be fitted in the T3 connection for serial feeding of subsequent valves (see page 7).

Type of end section [30]

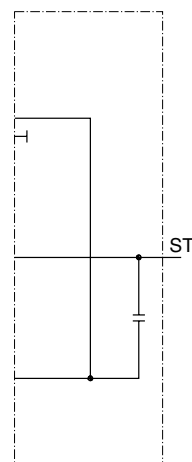
- US** Standard end-section.
- USP** End section with pilot-pressure generation.

Tank connection T1 [33]

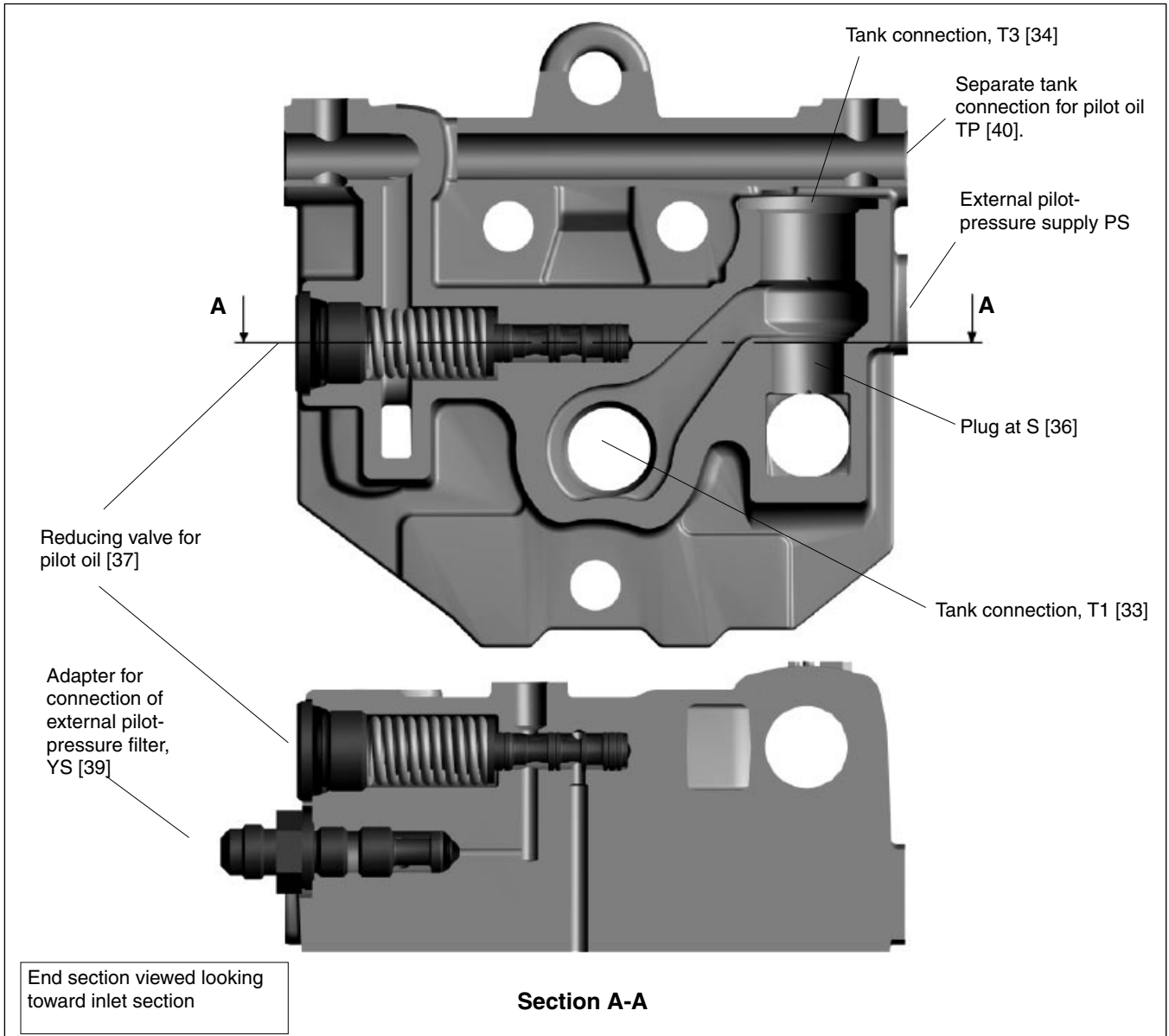
- T1** Tank connection T1 open (normal version).
- T1B** Tank connection T1 plugged.
- PT** Counter pressure valve that raises pressure in free-flow gallery to ensure that the minimum requisite pilot-pressure is maintained (USP only).
- ST** Power-beyond nipple for conventional end-section. Used to block the connection between the free-flow gallery (open centre) and tank, at the same time as the flow in the free-flow gallery is directed to a subsequent valve through the power-beyond nipple. The tank connection T2 in the inlet must be open. Compare with S at item [36].



Tank connection T1 open. Free-flow gallery connected with tank gallery in the end section.



Tank connection T1 open. Free-flow gallery not connected with tank (series connected). ST at item [33].



End section with integral pilot-oil supply

Tank connection T3 [34]

Only on end section USP [30]

T3 Tank connection T3 open.

T3B Tank connection T3 plugged (normal version).

Power-beyond function [36]

Only on end section USP [30]

/ Without series connection.

S Power-beyond function used to block connection between free-flow gallery and tank. Flow in free-flow gallery fed to subsequent valve through either T1 or T3 connection. Tank connection T2 in the inlet must be open.

Reducing valve [37]

Internal pilot-pressure supply is a valve function built into the end section, which acts as both a reducing valve and a pressure relief valve in the pilot circuit. For safety reasons, it is furnished with a separate safety valve function that prevents the maximum permissible pressure from being exceeded.

A pilot pressure for external use, e.g. for the PCL4 remote-control valve, can be tapped via the PS connection.

/ Without reducing valve

R35 Reducing valve set at 35 bar.

Pilot-oil strainer [39]

S Coarse filter with by-pass function in the internal pilot-pressure supply. Filter protects pilot circuit from dirt, especially during start-up of system.

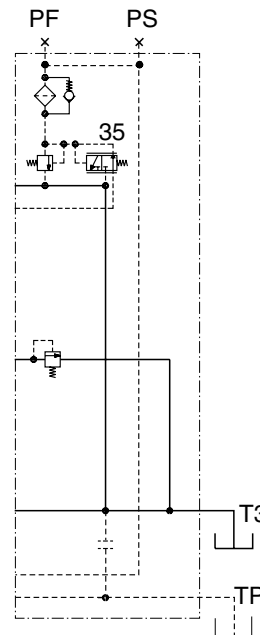
YS Adaptor for connection of external pilot-pressure filter. Enables pilot circuit to be supplied with cleaner oil compared with the rest of the system.

Separate tank connection for pilot circuit [40]

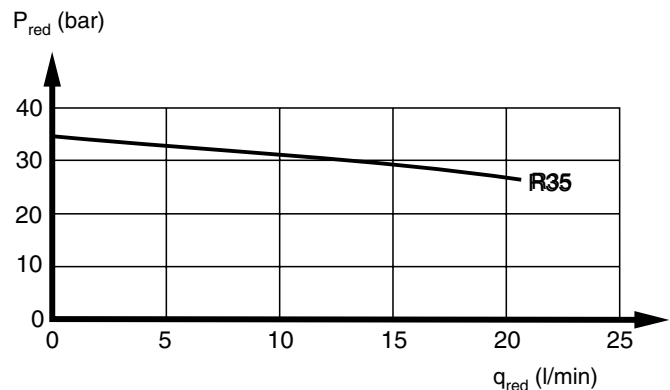
TP Separate tank connection for pilot circuit is open. The connection to the main tank gallery in the directional valve is blocked. This function is suitable for systems in which there is a risk of dynamic pressure variations in the tank line causing variations in the pilot circuit when there is a common tank line (recommended).

TPB End section machined for separate tank connection for pilot circuit, and plugged. Tank return of pilot circuit connected with tank gallery of directional valve.

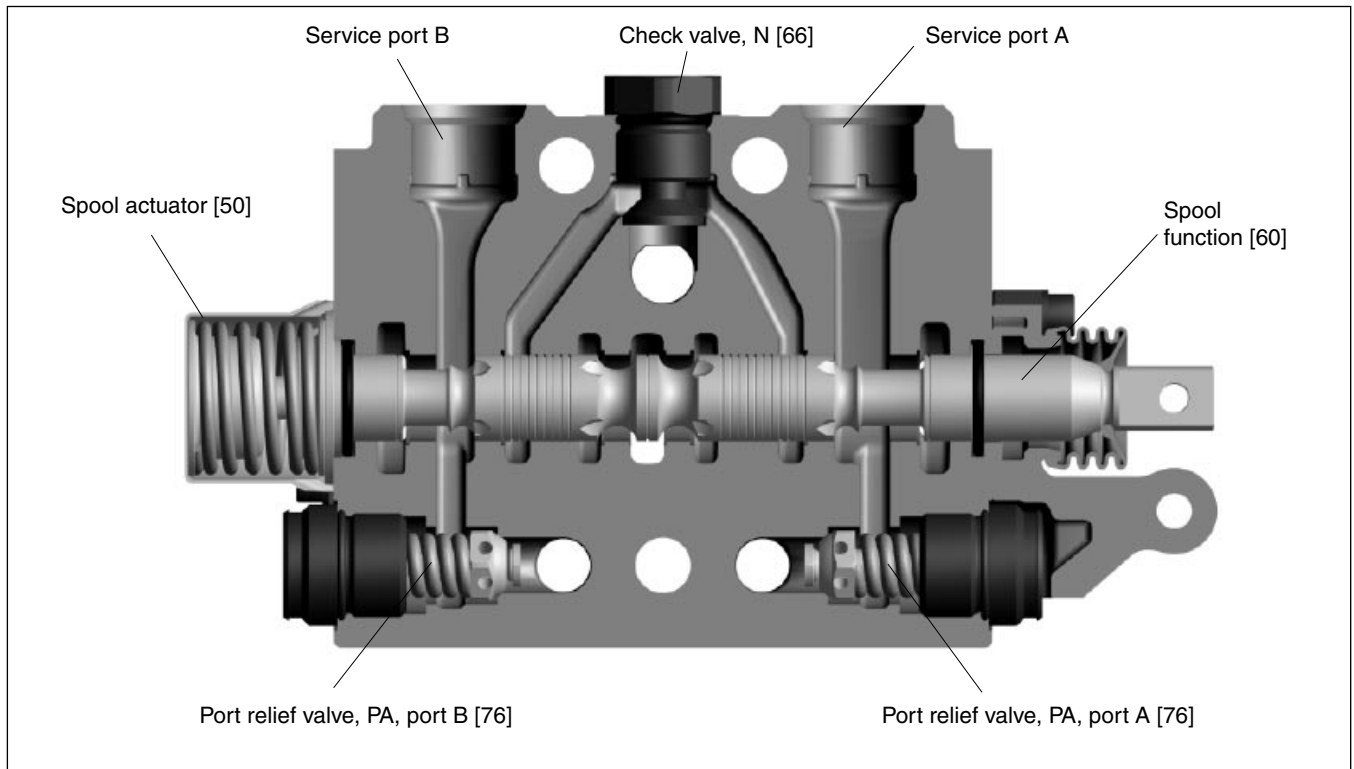
TPC The pilot circuit's tank gallery is connected to the main tank gallery via a check valve. The check valve is used to prevent that a pressure peak reaches the spool actuators.



Tank connection T3 open. Free-flow gallery connected with tank via counter pressure function, PT [33].



P_{red} = reduced pressure
 q_{red} = take-off flow from reducing valve



Conventional spool section.

The F130 is stackable and can be supplied in combinations of 1 to 11 spool sections. For each spool section, there is a wide range of spools and spool actuators to choose from. This enables optimum adaptation to the application and controlled function in question. The spool sections have machined control-edges for precise regulation. For best economy, there are spool sections for one or two spools. The spool sections are connected in parallel internally.

Spool actuators [50]

A large number of spool actuators is available for F130. They are divided into three different groups: hand-operated, ON/OFF remote controlled and proportionally remote controlled.

Hand-operated spool actuators with open spool end

- C** Spring-centred spool actuator. Actuator for stepless control with spring centring to neutral position.
- B3** Three-position spool actuator. B3 is a spool actuator with mechanical three-position detent. It has three fixed positions: fully actuated at both end positions, and the neutral position.

Spool position indication [52]

The type C spool actuator [50] can be equipped with an electric spool-position sensor. It has one analogue signal output to indicate the extent of spool actuation.

The printed circuit card and all components are protected from damp by an injected sealant. Moreover, stringent demands on EMC are met. The unit should be fed by any voltage between 9 and 32 V, in which case it gives an output voltage of 2.5 V in neutral and ± 2 V when the spool is fully actuated.

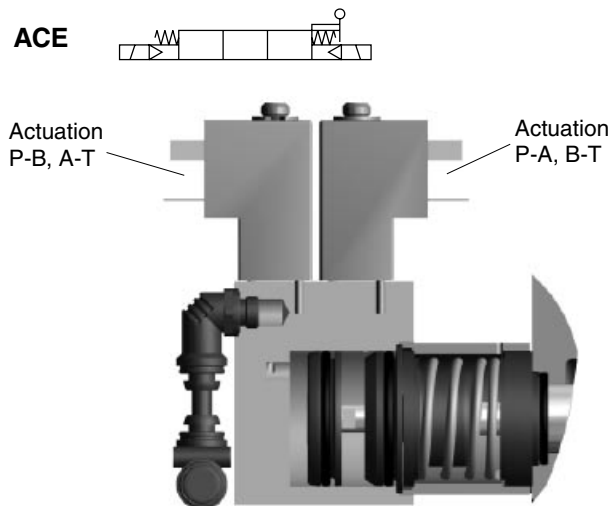
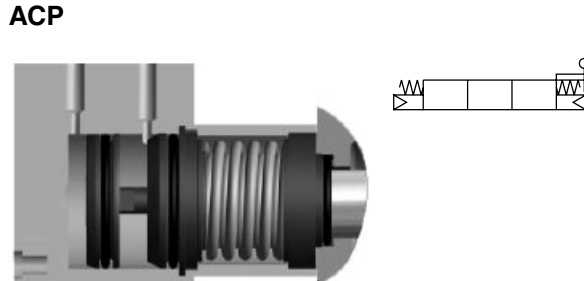
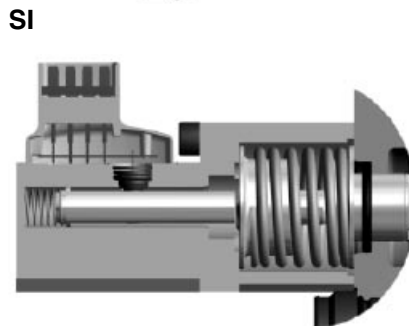
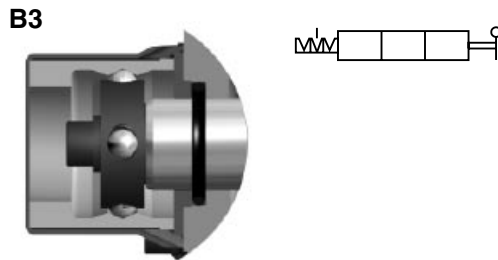
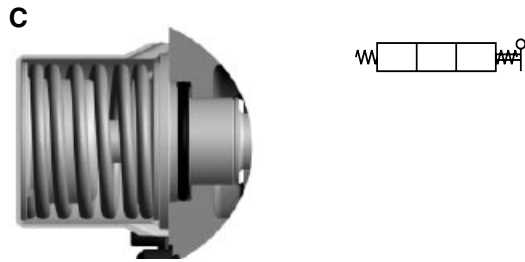
- / Without spool position sensor
- SI** Spool actuator with spool position sensor

Remote controlled, proportional spool actuators with open spool end and hand operating facility

- ACP** Pneumatic proportional spool actuator.
 The ACP is a pneumatically controlled, proportional spool actuator with spring centring and the possibility of stepless control by means of a hand lever. The ACP is best controlled by the Parker **VP04** remote control valve (see separate brochure).
 Breakaway pressure**: 2.5 bar
 Final pressure**: 7 bar (max. 10 bar)
 Connection thread: G 1/8 or NPTF 1/8-27

Remote controlled ON/OFF spool actuators with open spool end and possibility of manual control

- ACE** An electro-pneumatic ON/OFF control with spring centring and the possibility of stepless operation by means of a lever.
 Primary air: 4 – 10 bar
 Control current: 12 VDC min. 0.85 A
 24 VDC min. 0.42 A
 Voltage tolerance: $\pm 20\%$
 The spool actuator has a common pressure gallery for primary air. The primary air can be connected to either the first or the last valve section directly by means of a plug-in connector for $\varnothing 6$ mm air hose.
 The connector must be ordered separately, see page 27.



Lever bracket [51]

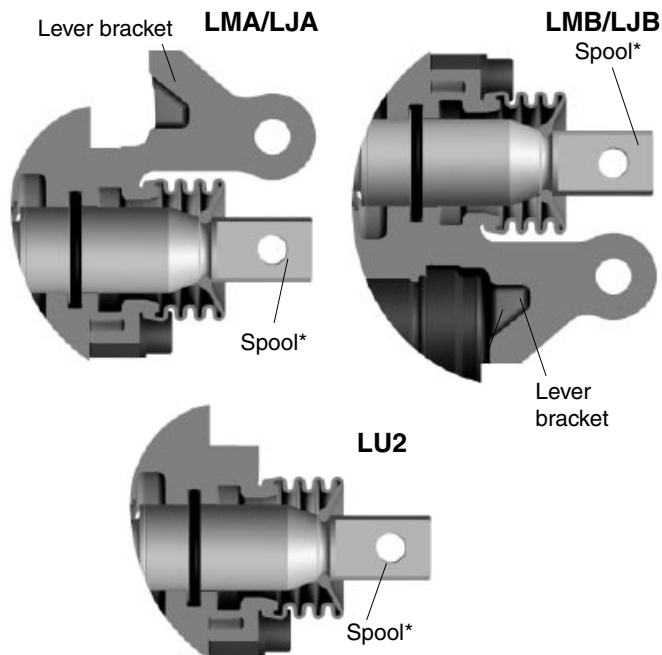
Leverbracket for open spool actuator is available in two different versions, LM and LJ. Leverbracket LM can't be loaded with forces sideways, from e.g. a mechanical joystick. In these cases LJ should be used. The Parker standard hand levers (see page 27) can only be used with LM. Lever itself not included. Must be ordered separately (see page 27).

**LMA/
 LJA** Lever bracket for open spool actuator.

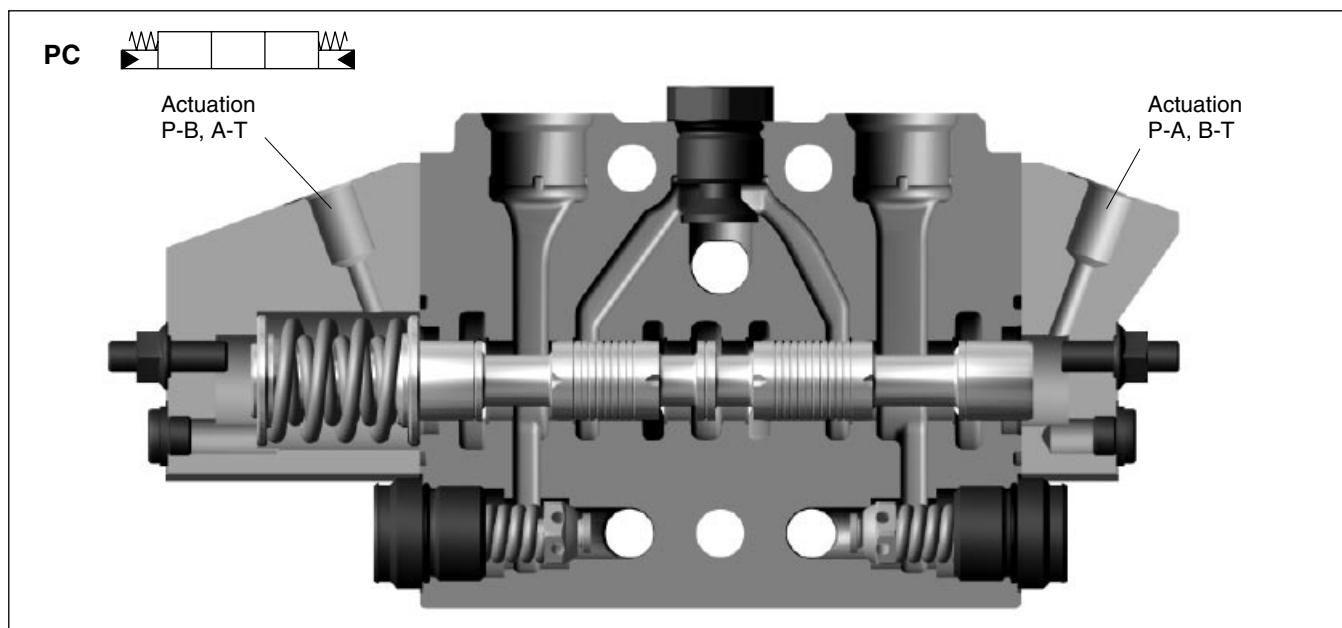
**LMB/
 LJB** Lever bracket for open spool actuator.

LU2 No lever bracket – open spool end.

* Spool in (←) gives actuation P-A, B-T.
 Spool out (→) gives actuation P-B, A-T.



**Remote controlled proportional spool actuators
 with closed spool end**

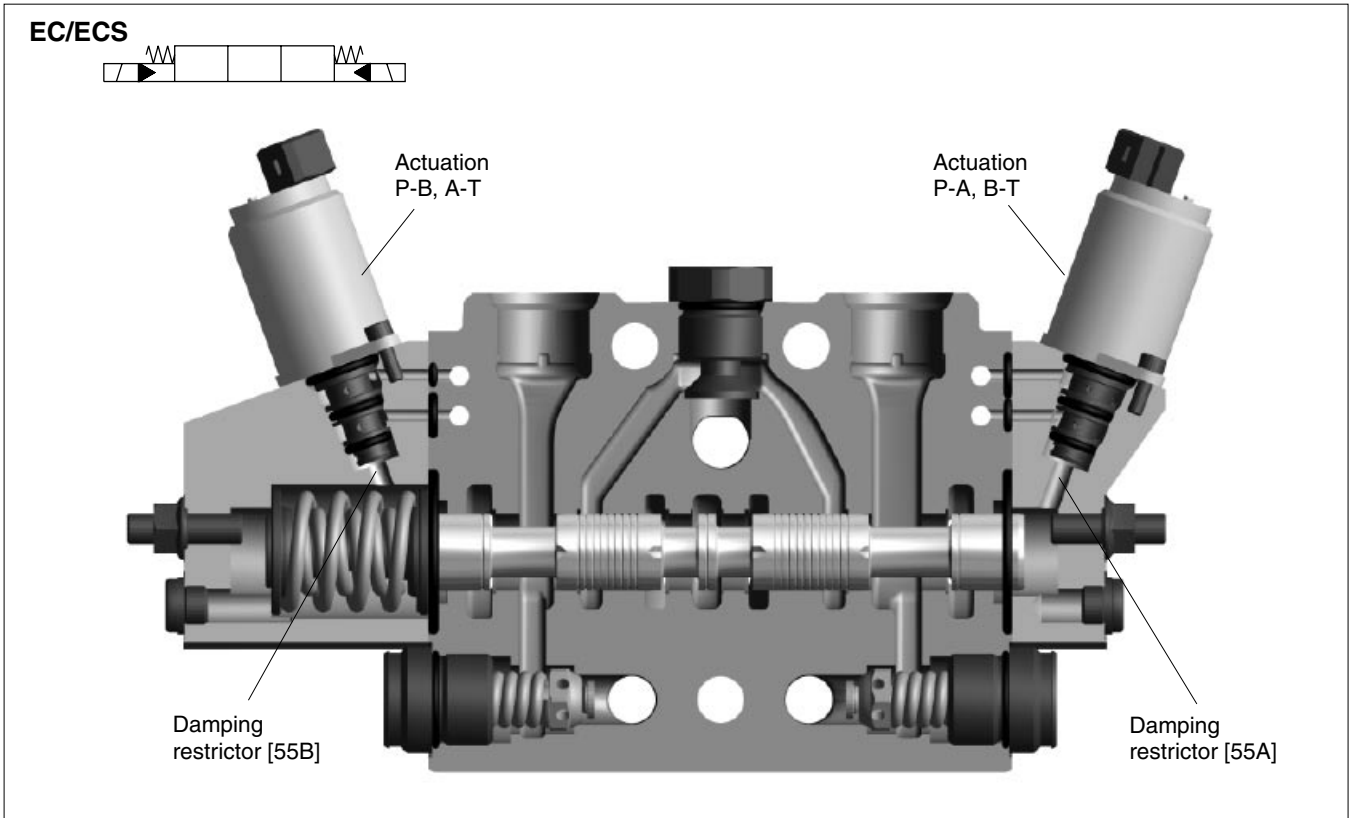


PC3 Hydraulic proportional spool actuator
PC4 The PC3 and PC4 are hydraulically and proportionally controlled spool actuators with spring centring. The PC3 is used on the F130CF with pump flows up to 80 l/min. The PC4 is used on the F130CF with pump flows above 80 l/min, and also on the F130CP. Ideally, the PC3 and PC4 should be remote-controlled by the Parker **PCL4** remote control valve (see separate brochure).

	PC3	PC4
Breakaway pressure**	6 bar	7 bar
Final pressure**	16 bar	24 bar
	(max 35 bar)	(max 35 bar)

** The breakaway pressure refers to the pressure needed for the directional valve to open the connection "pump to service port". The final pressure is the lowest pressure needed to effect full actuation of a spool in the directional valve. The foregoing data must be taken into consideration when choosing control units, since the opening pressure of the control unit must be lower than the breakaway pressure of the spool actuator in order to avoid jerky starting and stopping. However, the control unit's final pressure must be higher than the final pressure of the directional valve in order to ensure that the spools can be fully actuated. This is important for the F130CF because, if the spool is not actuated fully, the free-flow gallery will not close, with the result that a certain amount of flow will go directly to tank.

Connection thread: G 1/4 or 9/16-UNF-2B



ECS3 Electro-hydraulic proportional spool actuator
ECS4 The ECS3 and ECS4 are electro-hydraulic, proportionally controlled spool actuators with spring centring. The ECS3 is used on the F130CF with pump flows up to 80 l/min. The ECS4 is used on the F130CF with pump flows above 80 l/min, and also on the F130CP. The Parker **PVC25** cartridge valve is used as a pilot valve.

Ideally, the ECS3 and ECS4 should be remote-controlled by the Parker **IQAN** electronic remote control system (see separate brochure). The connector of AMP type must be ordered separately (see page 27). PVC25 is also available with Deutsch connector type.

	12 V	24 V
ECS3 Breakaway current:*	max 540 mA	max 280 mA
Final current:*	min 1100 mA	min 550 mA
ECS4 Breakaway current:*	max 580 mA	max 300 mA
Final current:*	min 1450 mA	min 730 mA
ECS3 Solenoid (PVC25)	max 1450 mA, 100% ED	max 730 mA, 100% ED
ECS4		
Coil resistance at +20 °C:	5,4 Ω	21,7 Ω
Inductance:	27,7 mH	7,0 mH
Tank pressure:	max 15 bar	max 15 bar

EC3 The EC3 and EC4 spool actuators have the same data as the ECS3 and ECS4. The difference is that the solenoid valve in the EC3 and EC4 is also equipped with manual-override and air bleeding functions.
EC4

* The breakaway current refers to the current needed for the directional valve to open the connection "pump to service port". The final current is the lowest current needed to effect full actuation of a spool in the directional valve. This data must be taken into consideration when choosing control units, since the opening current of the control unit must be lower than the breakaway current of the spool actuator in order to avoid jerky starting and stopping. However, the control unit's final current must be higher than the final current of the directional valve in order to ensure that the spools can be fully actuated. This is important for the F130CF because, if the spool is not actuated fully, the free-flow gallery will not close, with the result that a certain amount of flow will go directly to tank.

The stated values are guidelines only. To obtain optimum operating characteristics, the breakaway and final currents should be adjusted individually.

The spool is the most important link between the actions of the operator and the movement of the controlled function. Parker therefore goes to great lengths to optimise spools for different flows, load conditions, functions and applications. Since this is a process of continuous development work, new spools are being introduced all the time. For this reason, the many different spools available are not detailed in this catalogue. Parker's computerised specification program will generate proposals for suitable spools for the application and functions of the hydraulic system in your machine.

Spool function [60]

Spools are divided into different groups, depending on their basic function.

- D** Double-acting spool. Blocked in the neutral position.
- EA** Single-acting spool. Blocked in the neutral position and service port B blocked.
- EB** Single-acting spool. Blocked in the neutral position and service port A blocked.
- M** Double-acting spool. Service ports connected to tank (float position) in neutral.
- CA** Regenerative spool for rapid feeding of a cylinder, or for flow saving. The large side of the cylinder is always connected to service port A.

Certain spools have been equipped with drainage from service port to tank when the spool is in neutral. Drainage (approx. 2 mm²) serves to prevent pressure build-up in the service port. Such drainage is used primarily in combination with different types of external overcentre valve. The spool designation is affected as follows: A lower-case letter is suffixed to the usual spool designation indicating function, e.g. the D-spool becomes a Da-spool to indicate drainage from service-port A to tank.

- a** Drainage of service-port A to tank
- b** Drainage of service-port B to tank
- m** Drainage of service ports A and B to tank

Spool designation [69]

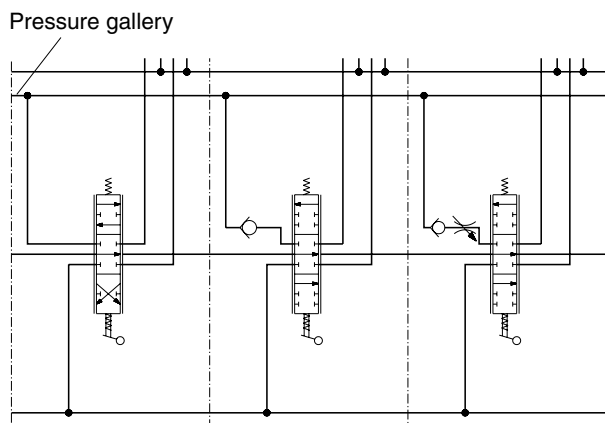
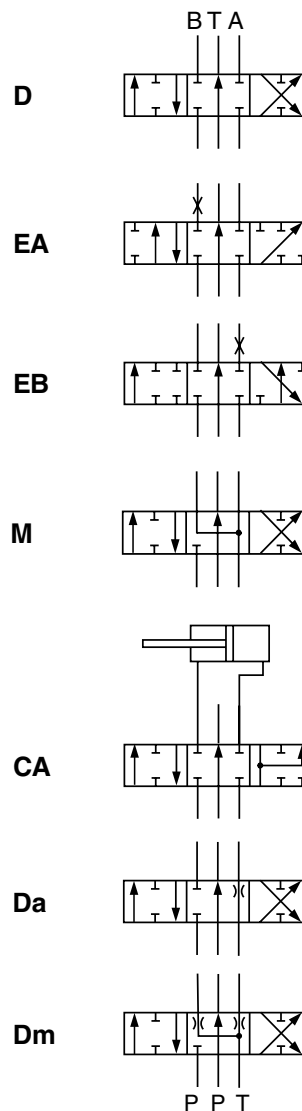
Each spool version is imprinted with an alphabetical code to facilitate identification during tuning or servicing in the field.

Options in the spool section

Options in the pressure gallery [66]

The spool section's pressure gallery can be fitted with different accessories to give the best system construction.

- X** Without load-hold check valve.
- N** Load-hold check valve to prevent undesirable sinking of a heavy load while a light load is operated. Normal version.
- MS** Load-hold check valve equipped with adjustment screw for restricting flow to consumer.



Pressure gallery open (X) in first section, fitted with check valve (N) in second section and fitted with check valve and adjustment screw (MS) in third section.

**Pressure limiters in service ports [76A/B]
 (Port relief valves)**

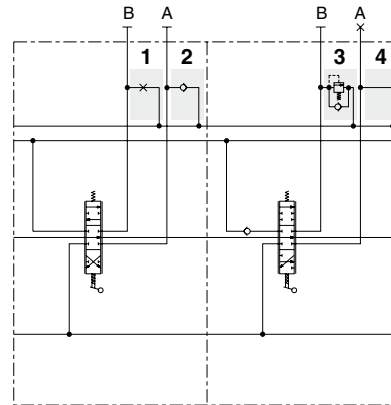
The service ports can be equipped with individual port-relief and/or anti-cavitation valves.

Parkers **PLC082** cartridge valves are used as port relief valves. They are renowned for their long service life, tightness, fast opening sequence and good characteristics over the entire flow range.

Port relief valve [76]

- X2** Service port connected permanently with valve's tank gallery.
- Y2** Connection between service port and tank gallery blocked.
- N2** Anti-cavitation valve fitted. The anti-cavitation valve serves to ensure that, in the event of a lower pressure in the service port than in the tank, oil can be sucked from the system oil tank to the consumer. To improve the anti-cavitation function, the oil tank can be pressurised. Note that the counter pressure valve PT [33] does not influence the pressure in the anti-cavitation valve's tank line.
- PA** PLC082 combined port-relief and anti-cavitation valve fitted. Valve is factory-set at the specified pressure. Optional pressure settings: 50, 63, 80, 100, 125, 140, 160, 175, 190, 210, 230, 240, 250, 260, 280, 300, 320 and 350 bar.

Since the cavities for X2, Y2, N2 and PA have the same machining, it is easy to change the function of an existing valve.



In the diagram above:

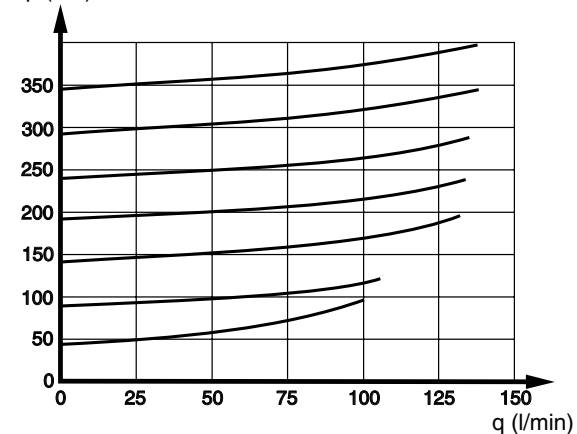
Section 1, service port B, is fitted with a Y2-plug (1) to block the connection to tank.

Section 1, service port A, is fitted with an anti-cavitation valve N2 (2).

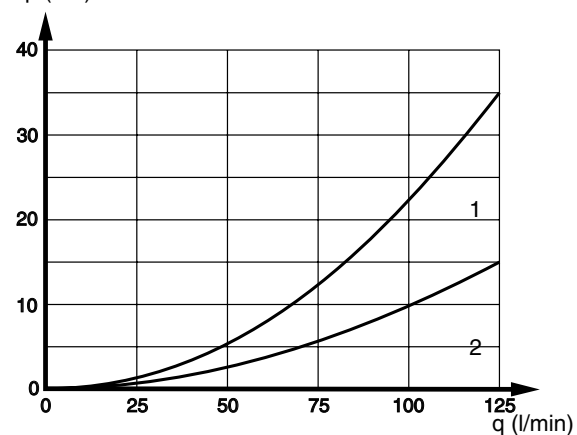
Section 2, service port B, is equipped with a combined port-relief and anti-cavitation valve (3) to limit the pressure and prevent cavitation.

Section 2, service port A, is connected to tank - X2 variant - in the case of EB spools (4).

Δp (bar) Port-relief characteristic



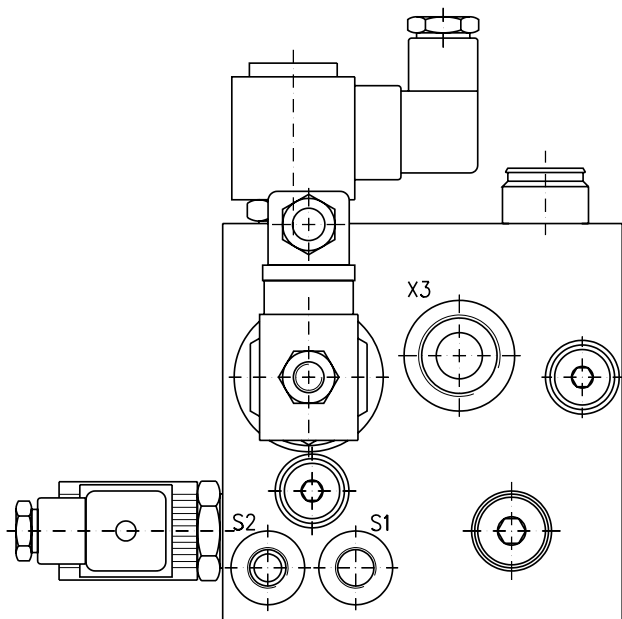
Δp (bar) Anti-cavitation characteristic



The curve shows the pressure drop between the tank connection and service port when port relief valve (PA) or anti-cavitation valve (N) without port-relief function is used as an anti-cavitation valve.

Function blocks (manifolds)

F130 valves can be equipped with manifold-type function blocks that enable total system solutions to be integral into the valve.



Please contact your Parker representative for more information about integral system solutions. In addition to standard function blocks, special function blocks can be designed by our experienced product and system designers to meet your needs exactly.

The function block above was specially adapted for a customer. Like most of our function blocks, it was constructed with the aid of cartridge valves. Only the housing itself is a unique component.

Connectors

Connectors are not included with spool actuators, and should be ordered separately as per the lists below.

Spool actuators EC*, ECS* and inlet section with pump-unloading

Suitable connectors are the:
 AMP Junior-Timer type C, 963040-3
 or Bosch 1 928 402 404.

Assembly kits complete	1 off	393000K822
with pins and seals can be	10 off	393000K825
ordered using the kit	50 off	393000K826
numbers opposite.	100 off	393000K827

Spool actuator ACE

Suitable connector is Hirschman.
 Complete connector sets can be ordered on following set numbers:

1 st	9125 9551 00
10 st	9125 9551 10
25 st	9125 9551 25
50 st.	9125 9551 50
100 st	9125 9551 99

Hand levers

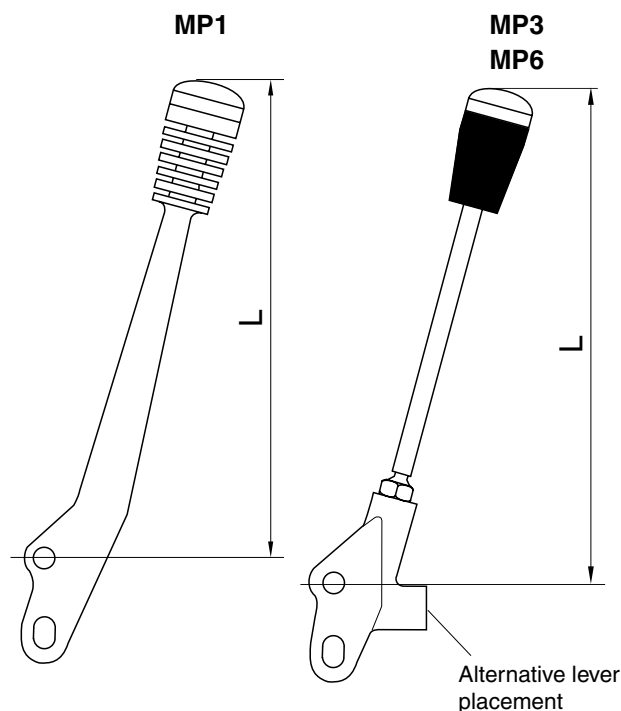
Levers are not supplied with the valve and must therefore be ordered separately.

They are furnished with window-type knobs, so that machine builders can insert the appropriate function symbol beneath a transparent cap to indicate the function of the lever. Levers are supplied complete with mounting kits.

Mechanical co-ordinate levers (joysticks) can be supplied on request. Please contact Parker for further information.

Lever:	Length		Ordering No.
	L mm	L (inch)	
MP1	179	(7.05)	8234 9390 21
MP3	202	(7.95)	8234 9390 23
MP6	122	(4.80)	8234 9390 26

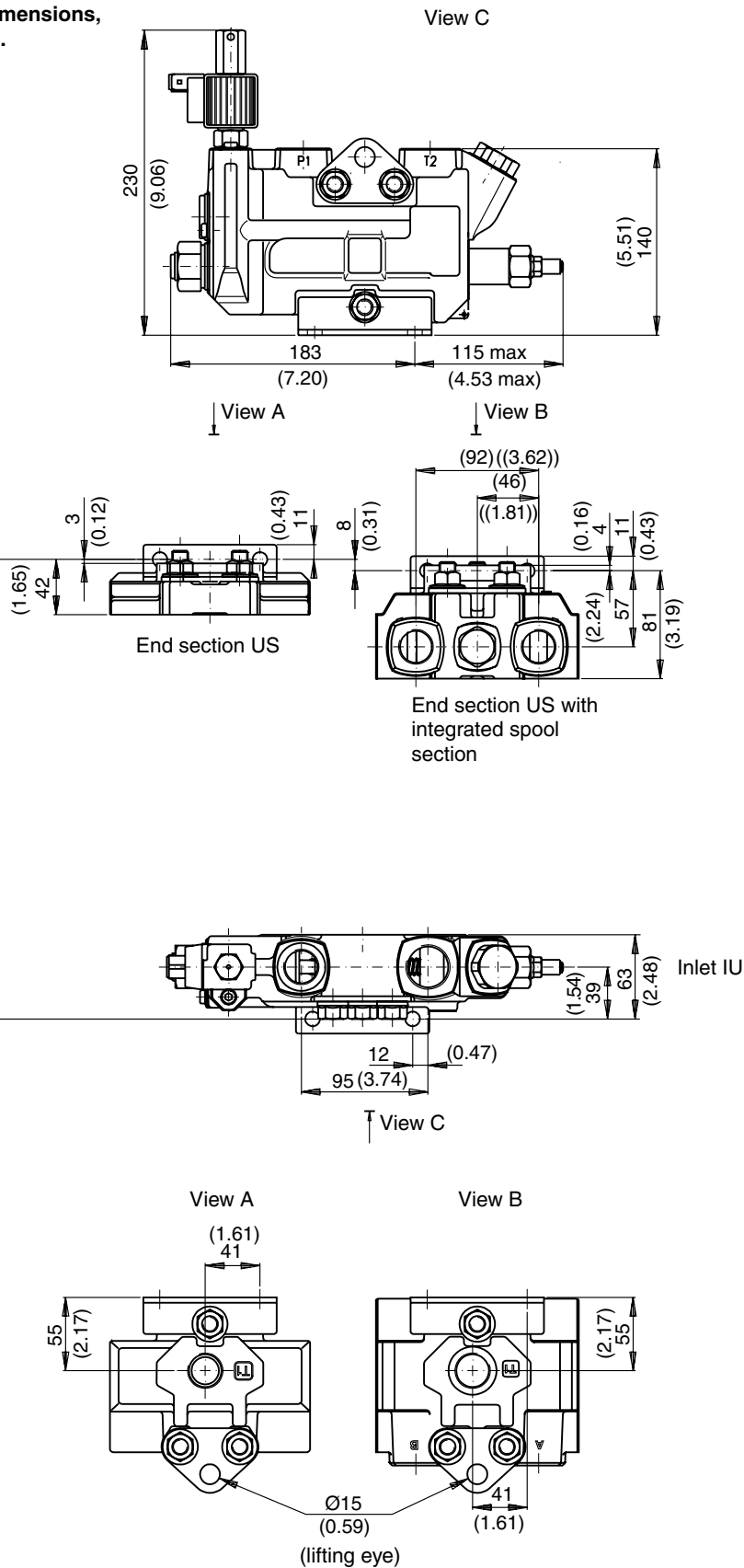
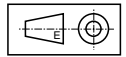
Hand levers for open spool-actuators



Inlet and end sections

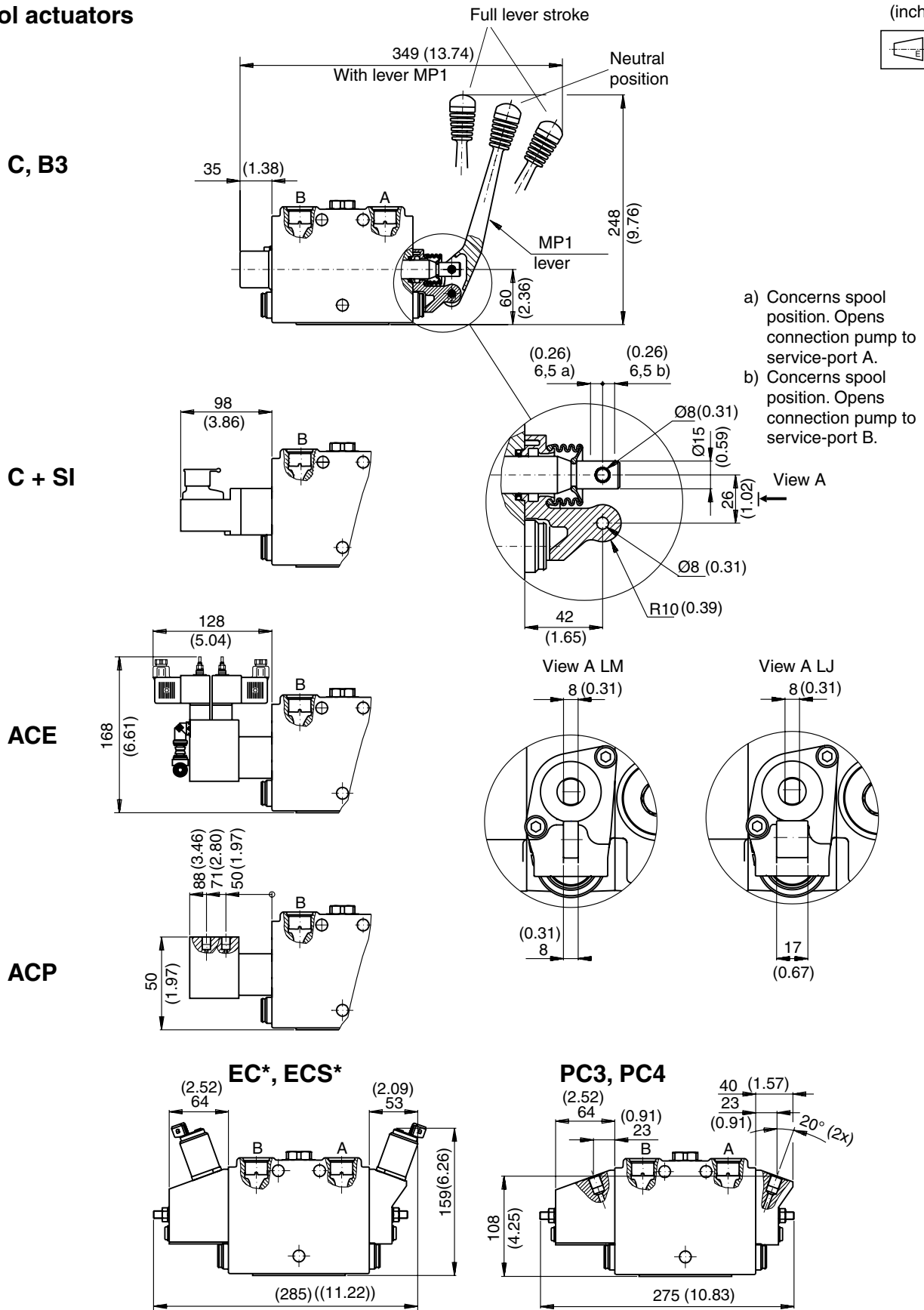
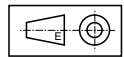
For connection dimensions,
 please see page 8.

(inch)



Spool actuators

(inch)





WARNING

FAILURE OR IMPROPER SELECTION OR IMPROPER USE OF THE PRODUCTS AND/OR SYSTEMS DESCRIBED HEREIN OR RELATED ITEMS CAN CAUSE DEATH, PERSONAL INJURY AND PROPERTY DAMAGE.

This document and other information from Parker Hannifin Corporation, its subsidiaries and authorized distributors provide product and/or system options for further investigation by users having technical expertise. It is important that you analyze all aspects of your application, including consequences of any failure, and review the information concerning the product or system in the current product catalogue. Due to the variety of operating conditions and applications for these products or systems, the user, through its own analysis and testing, is solely responsible for making the final selection of the products and systems and assuring that all performance, safety and warning requirements of the application are met.

The products described herein, including without limitation, product features, specifications, designs, availability and pricing, are subject to change by Parker Hannifin Corporation and its subsidiaries at any time without notice.

Offer of Sale

Please contact your Parker representation for a detailed "Offer of Sale".

Parker Worldwide

AE – UAE, Dubai
Tel: +971 4 8875600
parker.me@parker.com

AR – Argentina, Buenos Aires
Tel: +54 3327 44 4129

AT – Austria, Wiener Neustadt
Tel: +43 (0)2622 23501-0
parker.austria@parker.com

AT – Eastern Europe, Wiener Neustadt
Tel: +43 (0)2622 23501 970
parker.easteurope@parker.com

AU – Australia, Castle Hill
Tel: +61 (0)2-9634 7777

AZ – Azerbaijan, Baku
Tel: +994 50 2233 458
parker.azerbaijan@parker.com

BE/LU – Belgium, Nivelles
Tel: +32 (0)67 280 900
parker.belgium@parker.com

BR – Brazil, Cachoeirinha RS
Tel: +55 51 3470 9144

BY – Belarus, Minsk
Tel: +375 17 209 9399
parker.belarus@parker.com

CA – Canada, Milton, Ontario
Tel: +1 905 693 3000

CH – Switzerland, Etoy
Tel: +41 (0) 21 821 02 30
parker.switzerland@parker.com

CN – China, Shanghai
Tel: +86 21 5031 2525

CZ – Czech Republic, Klecany
Tel: +420 284 083 111
parker.czechrepublic@parker.com

DE – Germany, Kaarst
Tel: +49 (0)2131 4016 0
parker.germany@parker.com

DK – Denmark, Ballerup
Tel: +45 43 56 04 00
parker.denmark@parker.com

ES – Spain, Madrid
Tel: +34 902 33 00 01
parker.spain@parker.com

FI – Finland, Vantaa
Tel: +358 (0)20 753 2500
parker.finland@parker.com

FR – France, Contamine s/Arve
Tel: +33 (0)4 50 25 80 25
parker.france@parker.com

GR – Greece, Athens
Tel: +30 210 933 6450
parker.greece@parker.com

HK – Hong Kong
Tel: +852 2428 8008

HU – Hungary, Budapest
Tel: +36 1 220 4155
parker.hungary@parker.com

IE – Ireland, Dublin
Tel: +353 (0)1 466 6370
parker.ireland@parker.com

IN – India, Mumbai
Tel: +91 22 6513 7081-85

IT – Italy, Corsico (MI)
Tel: +39 02 45 19 21
parker.italy@parker.com

JP – Japan, Fujisawa
Tel: +(81) 4 6635 3050

KR – South Korea, Seoul
Tel: +82 2 559 0400

KZ – Kazakhstan, Almaty
Tel: +7 7272 505 800
parker.easteurope@parker.com

LV – Latvia, Riga
Tel: +371 6 745 2601
parker.latvia@parker.com

MX – Mexico, Apodaca
Tel: +52 81 8156 6000

MY – Malaysia, Subang Jaya
Tel: +60 3 5638 1476

NL – The Netherlands, Oldenzaal
Tel: +31 (0)541 585 000
parker.nl@parker.com

NO – Norway, Ski
Tel: +47 64 91 10 00
parker.norway@parker.com

NZ – New Zealand, Mt Wellington
Tel: +64 9 574 1744

PL – Poland, OK
Tel: +48 (0)42 712 66 07
biuro@dzwigi.net.pl

PT – Portugal, Leca da Palmeira
Tel: +351 22 999 7360
parker.portugal@parker.com

RO – Romania, Bucharest
Tel: +40 21 252 1382
parker.romania@parker.com

RU – Russia, Moscow
Tel: +7 495 645-2156
parker.russia@parker.com

SE – Sweden, Spånga
Tel: +46 (0)8 59 79 50 00
parker.sweden@parker.com

SG – Singapore
Tel: +65 6887 6300

SK – Slovakia, Banská Bystrica
Tel: +421 484 162 252
parker.slovakia@parker.com

SL – Slovenia, Novo Mesto
Tel: +386 7 337 6650
parker.slovenia@parker.com

TH – Thailand, Bangkok
Tel: +662 717 8140

TR – Turkey, Istanbul
Tel: +90 216 4997081
parker.turkey@parker.com

TW – Taiwan, Taipei
Tel: +886 2 2298 8987

UA – Ukraine, Kiev
Tel: +380 44 494 2731
parker.ukraine@parker.com

UK – United Kingdom, Warwick
Tel: +44 (0)1926 317 878
parker.uk@parker.com

US – USA, Cleveland (industrial)
Tel: +1 216 896 3000

US – USA, Lincolnshire (mobile)
Tel: +1 847 821 1500

VE – Venezuela, Caracas
Tel: +58 212 238 5422

ZA – South Africa, Kempton Park
Tel: +27 (0)11 961 0700
parker.southafrica@parker.com

European Product Information Centre
Free phone: 00 800 27 27 5374
(from AT, BE, CH, CZ, DE, EE, ES, FI, FR, IE, IT, PT, SE, SK, UK)



Parker Hannifin Ltd.
Tachbrook Park Drive
Tachbrook Park, Warwick CV34 6TU
United Kingdom
Tel.: +44 (0) 1926 317 878
Fax: +44 (0) 1926 317 855
www.parker.com